

RUBBER-TIPPED AIRLOCKS

Sizes from
12" x 12"
To
84" x 96"

Mild Steel &
Stainless Steel
Models

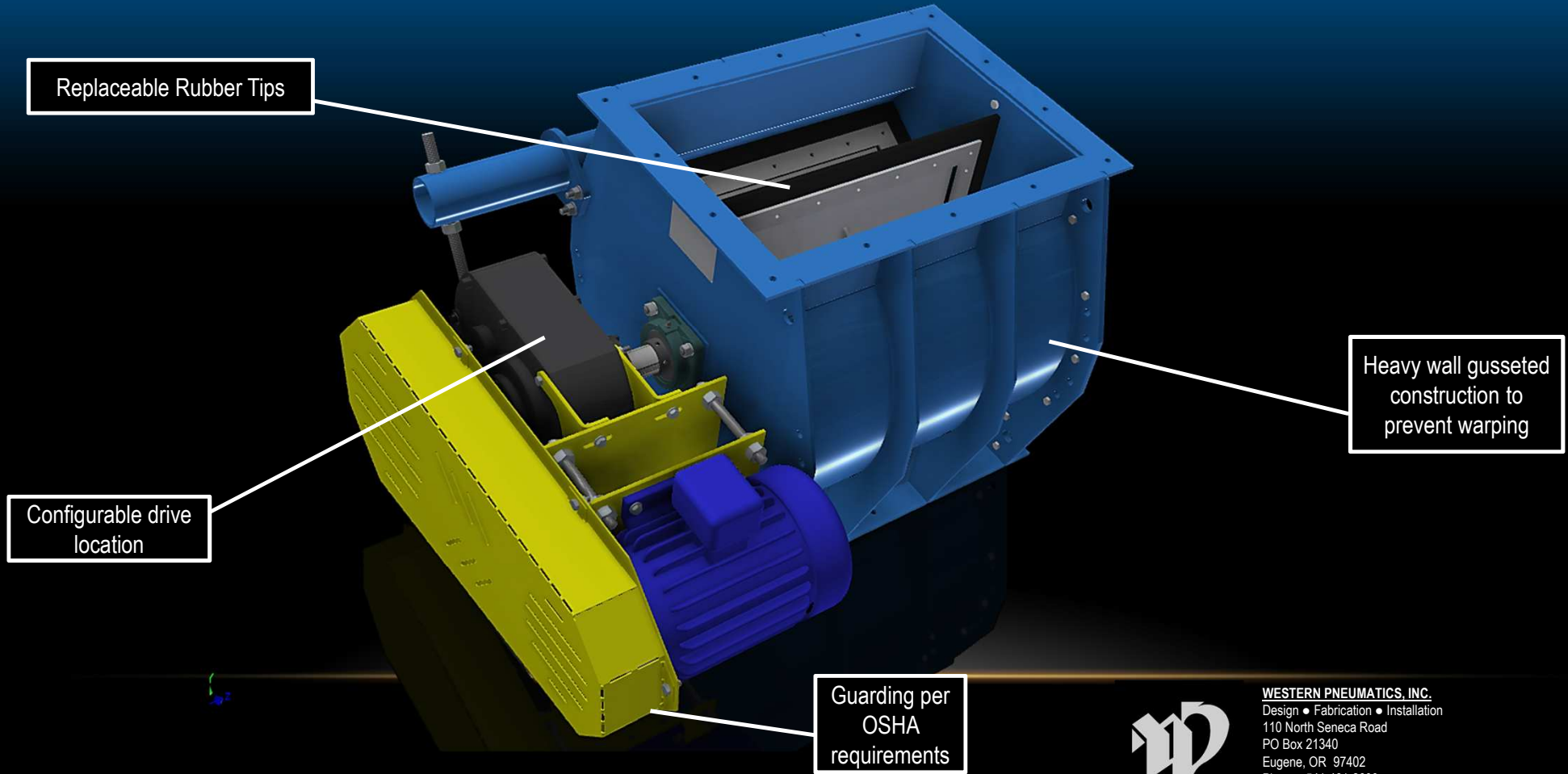
Many options
available



WESTERN PNEUMATICS, INC.
Design • Fabrication • Installation
110 North Seneca Road
PO Box 21340
Eugene, OR 97402
Phone: 541-461-2600

RUBBER TIPPED AIRLOCKS

- STANDARD FEATURES -

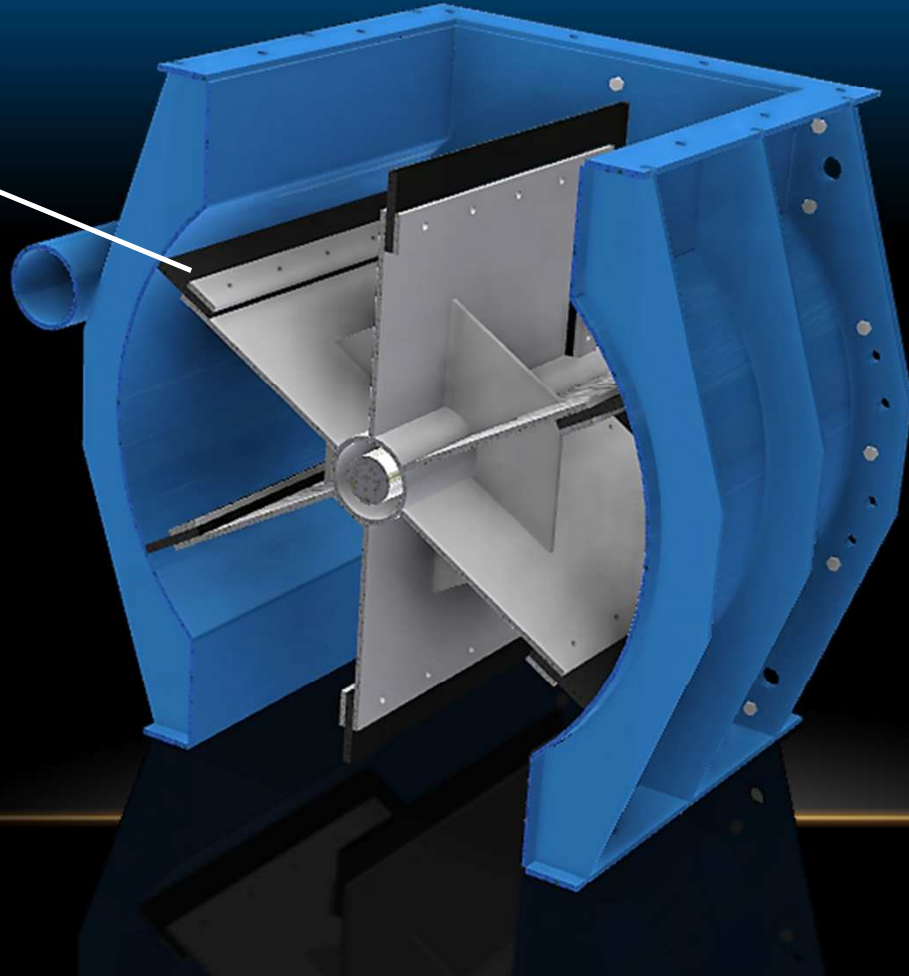


WESTERN PNEUMATICS, INC.
Design • Fabrication • Installation
110 North Seneca Road
PO Box 21340
Eugene, OR 97402
Phone: 541-461-2600

RUBBER-TIPPED AIRLOCKS

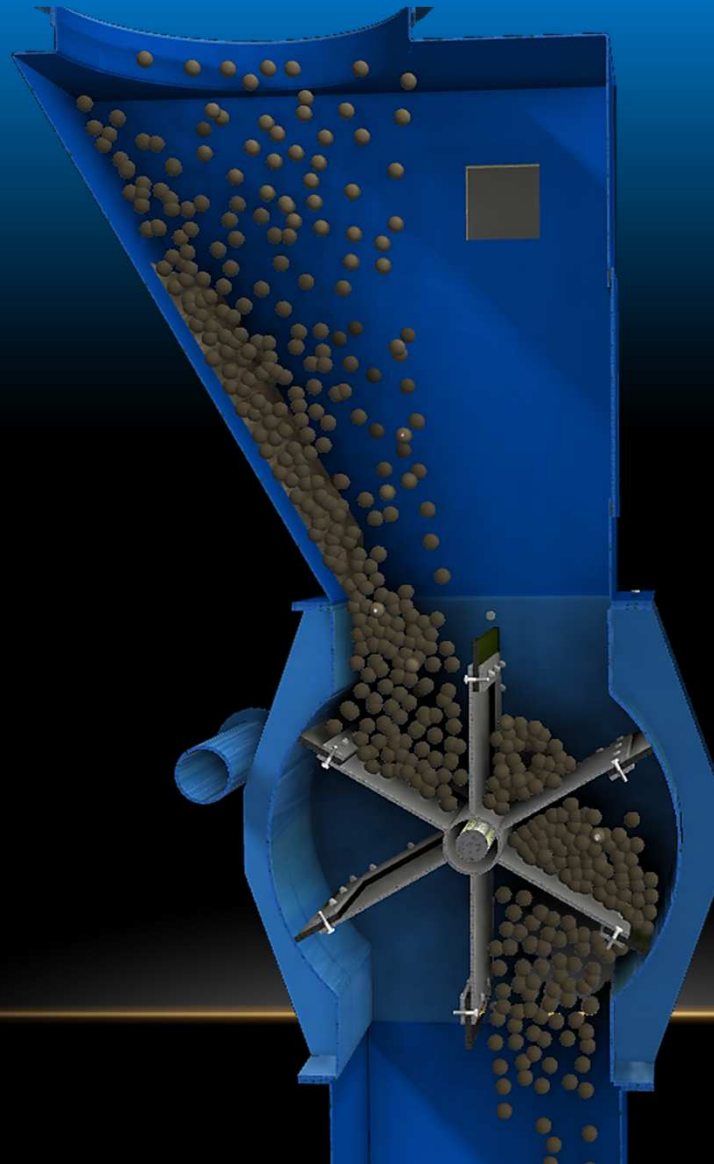
- STANDARD FEATURES -

Replaceable Rubber
Tips



WESTERN PNEUMATICS, INC.
Design • Fabrication • Installation
110 North Seneca Road
PO Box 21340
Eugene, OR 97402
Phone: 541-461-2600

RUBBER TIPPED AIRLOCKS



The in-feed chute should allow material to be fed on the leading edge side of the airlock, as shown. This allows the material to settle in the rotor pocket, avoiding shearing of the material.

WPI can provide in-feed chutes to accommodate the required configuration.



WESTERN PNEUMATICS, INC.
Design • Fabrication • Installation
110 North Seneca Road
PO Box 21340
Eugene, OR 97402
Phone: 541-461-2600

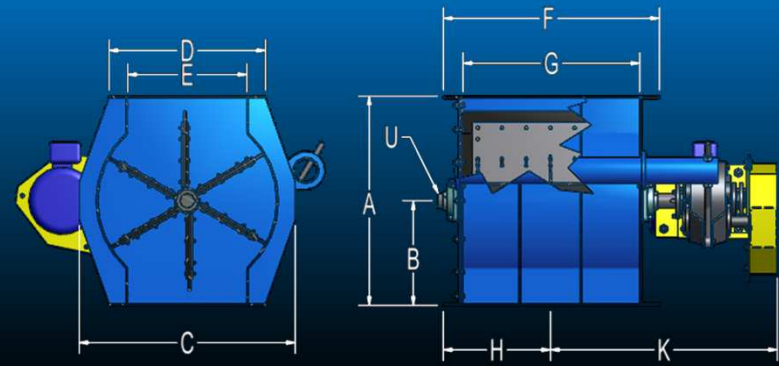
RUBBER TIPPED AIRLOCKS

- WPI can provide options for special applications:
 - Brass Tips for high temperature or other special applications.
 - Drive orientation and type.
- WPI can provide related equipment:
 - In-feed Chutes.
 - Transition ducting.
- WPI offers full Rubber Tip Airlock service:
 - Maintenance training.
 - Onsite inspection.
 - Rubber tip replacement service.



WESTERN PNEUMATICS, INC.
Design • Fabrication • Installation
110 North Seneca Road
PO Box 21340
Eugene, OR 97402
Phone: 541-461-2600

RUBBER TIPPED AIRLOCKS



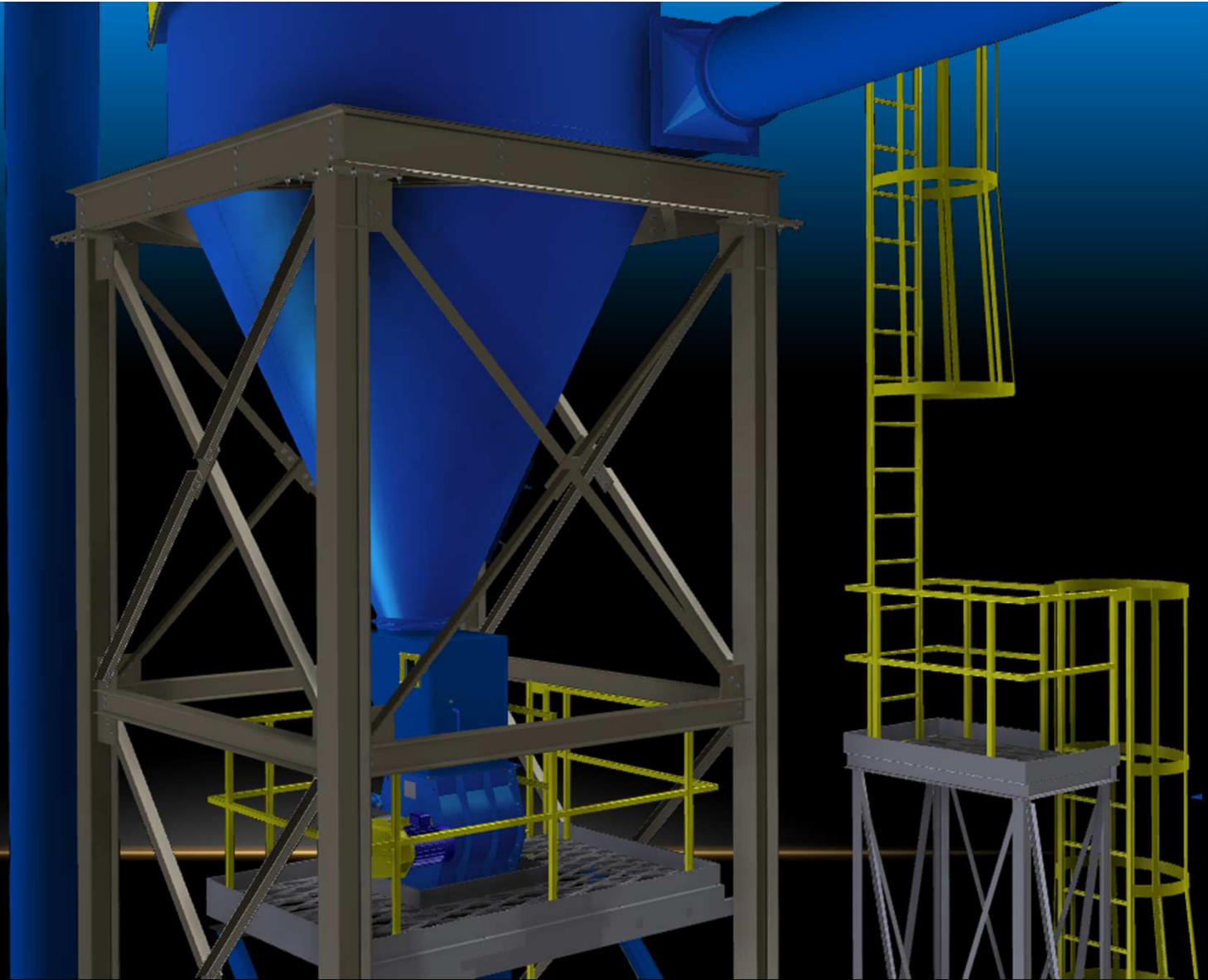
Size	Volume / Revolution	Motor Power	Rotor Speed	Volume at full capacity	Volume at 100% capacity	Volume at 40% capacity	Volume at 20% capacity	A	B	C	D	E	F	G	H	K	U	Weight
∅ x Len	CFR	HP	RPM	Ft ³ / min	Units / hr	Units / hr	Units / hr	inches	inches	inches	inches	inches	inches	inches	Max	Max	Shaft ∅	Lbs
inches	Ft ³ / rev		rev/min												inches	inches	inches	
12 x 12	0.68	2	45	30.6	9.18	3.67	1.84	18	9	16	12	8	16	12	8 - 55/64	22 - 1/32	1 - 7/16	280
16 x 16	1.69	3	43	72.7	21.8	8.72	4.36	20 1/2	10 1/4	20	14 1/2	10 1/2	20	16	10 - 3/4	24	1 - 15/16	450
20 x 20	3.2	5	40	128	38.4	15.4	7.68	25	12 1/2	25	18 1/2	13 1/2	25	20	13 - 7/64	28 - 1/16	1 - 15/16	575
24 x 24	5.94	5	36	214	64.2	25.7	12.8	28	14	29	21	16	29	24	15 - 11/16	30 - 11/16	1 - 15/16	650
30 x 30	11.2	5	35	392	118	47.0	23.5	35	17 1/2	35	25	20	35	30	18 - 7/16	33 - 31/32	2 - 7/16	1,200
36 x 36	19.9	7 1/2	32	637	191	76	38	41	20 1/2	41	29	24	41	36	21 - 7/16	37 - 9/16	2 - 7/16	2,000
42 x 42	32.1	10	30	963	289	116	58	50	25	47	33	28	47	42	25 - 3/16	42 - 3/4	2 - 7/16	3,500
48 x 48	48.0	15	24	1152	346	138	69	54	27 1/2	54	38	32	54	48	28 - 3/16	49 - 1/16	2 - 15/16	4,200
60 x 60	93.0	20	20	1860	558	223	112	66	33	66	46 1/2	40	66	60	34 - 3/4	58 - 7/32	3 - 7/16	5,538
72 x 72	123	20	18	2214	664	266	133	84	42	80	64 1/2	56	80 3/8	72	42 - 1/2	60	3 - 15/16	8,081
84 x 96	280	25	13	3640	1092	437	218	98	49	95 1/2	68 1/2	58	105	95 5/8	60 - 7/8	72 - 5/8	5 - 7/16	call



WESTERN PNEUMATICS, INC.
 Design • Fabrication • Installation
 110 North Seneca Road
 PO Box 21340
 Eugene, OR 97402
 Phone: 541-461-2600

RUBBER TIPPED AIRLOCKS

- TYPICAL APPLICATIONS -



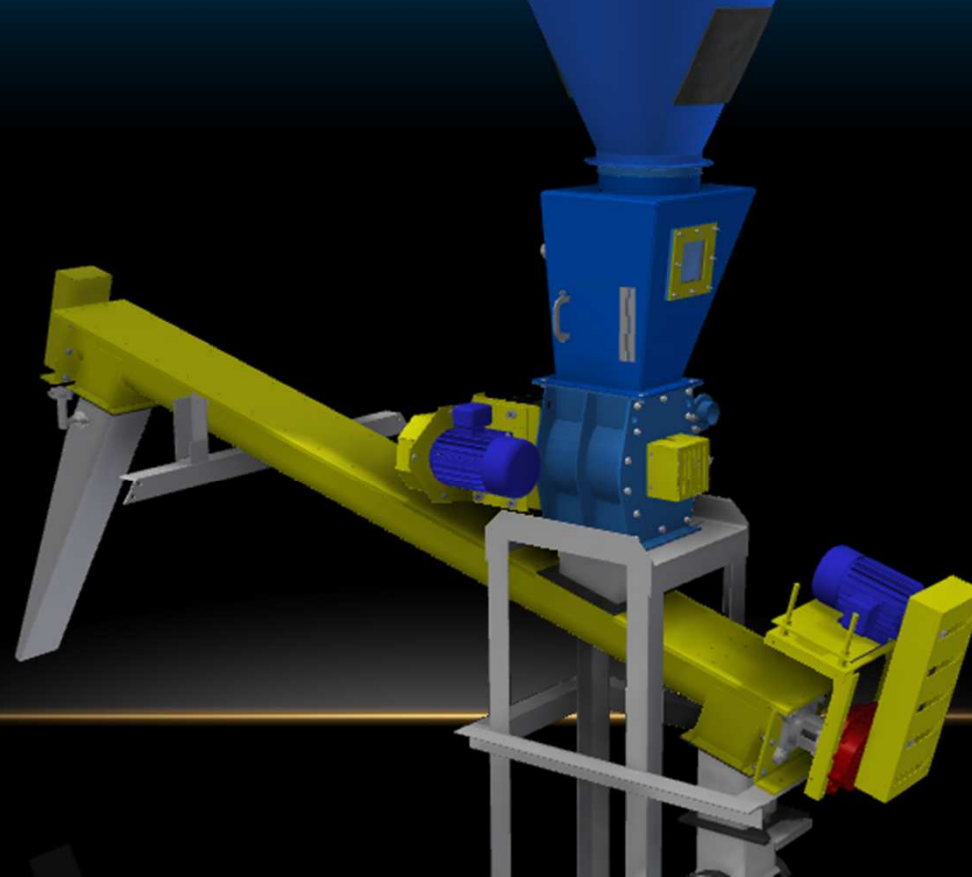
WESTERN PNEUMATICS, INC.
Design • Fabrication • Installation
110 North Seneca Road
PO Box 21340
Eugene, OR 97402
Phone: 541-461-2600

RUBBER TIPPED AIRLOCKS

- TYPICAL APPLICATIONS -

Airlock under a filter of cyclone.

The Airlock sits above a screw conveyor which directs the discharge to a fines relay system or a fire dump.



WESTERN PNEUMATICS, INC.
Design • Fabrication • Installation
110 North Seneca Road
PO Box 21340
Eugene, OR 97402
Phone: 541-461-2600

ABOUT WPI

- Western Pneumatics was founded in 1982 with our focus on high and low pressure pneumatic conveying and aspiration systems.
- Diversification has been a constant as we offer materials handling systems for wood products, environmental, biomass, agricultural and minerals.
- The headquarters in Eugene, Oregon, include the fabrication facilities with CNC machine centers, laser cutting machine, sandblasting and painting .
- An additional fabrication facility is located in Ruston, Louisiana.
- WPI typically offers turnkey systems including design, fabrication and installation.

WPI Corporate Headquarters

110 N Seneca Road
PO Box 21340
Eugene, Oregon 97402

T. 541.461.2600
F. 541.461.2606

WPI-South

2601 McDonald Ave
Ruston, LA 71270

T. 318.232.1307
F. 318.232.7720



WESTERN PNEUMATICS, INC.
Design • Fabrication • Installation
110 North Seneca Road
PO Box 21340
Eugene, OR 97402
Phone: 541-461-2600