

ROUND RUBBER-TIPPED AIRLOCKS

Sizes from
10" x 17"
To
12" x 22"

Many options
available

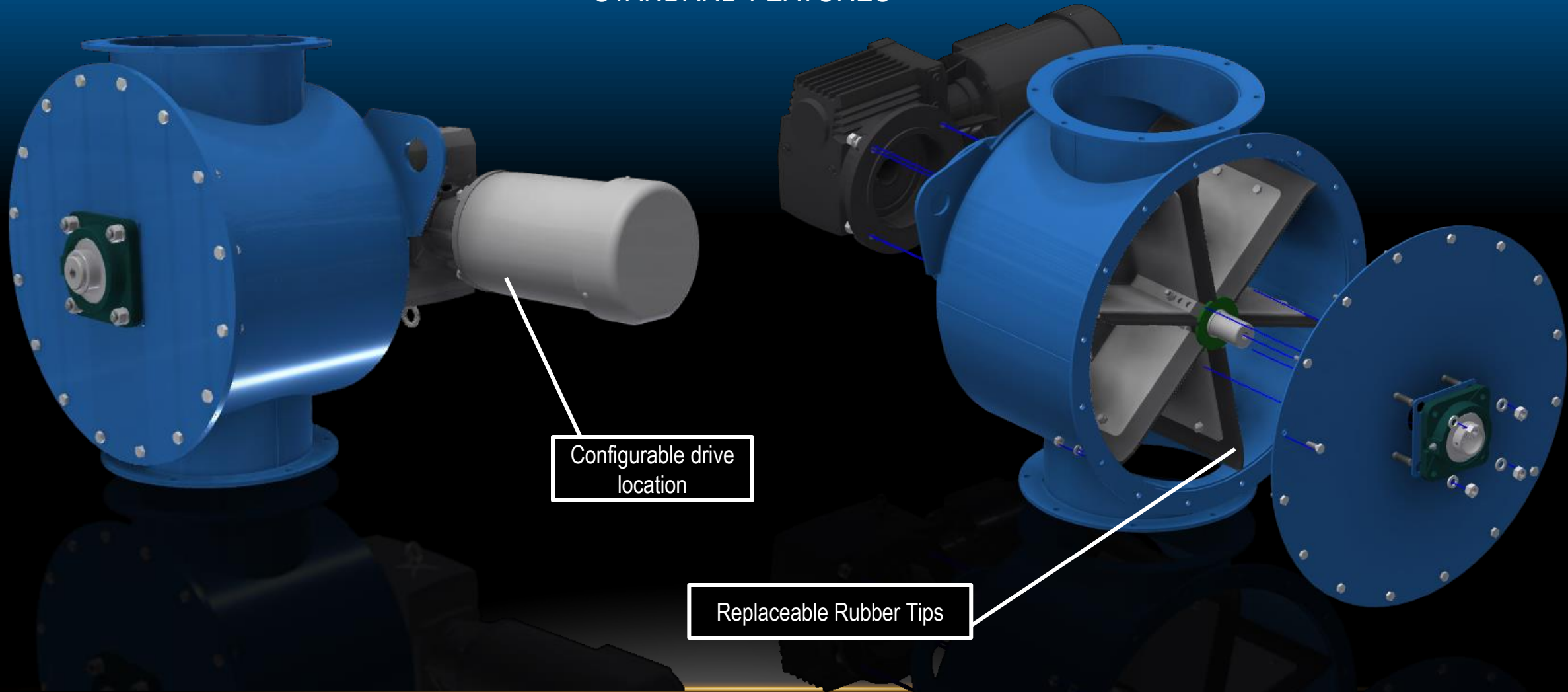
Mild Steel &
Stainless Steel
Models



WESTERN PNEUMATICS, INC.
Design • Fabrication • Installation
110 North Seneca Road
PO Box 21340
Eugene, OR 97402
Phone: 541-461-2600

ROUND RUBBER TIPPED AIRLOCKS

- STANDARD FEATURES -



Configurable drive location

Replaceable Rubber Tips

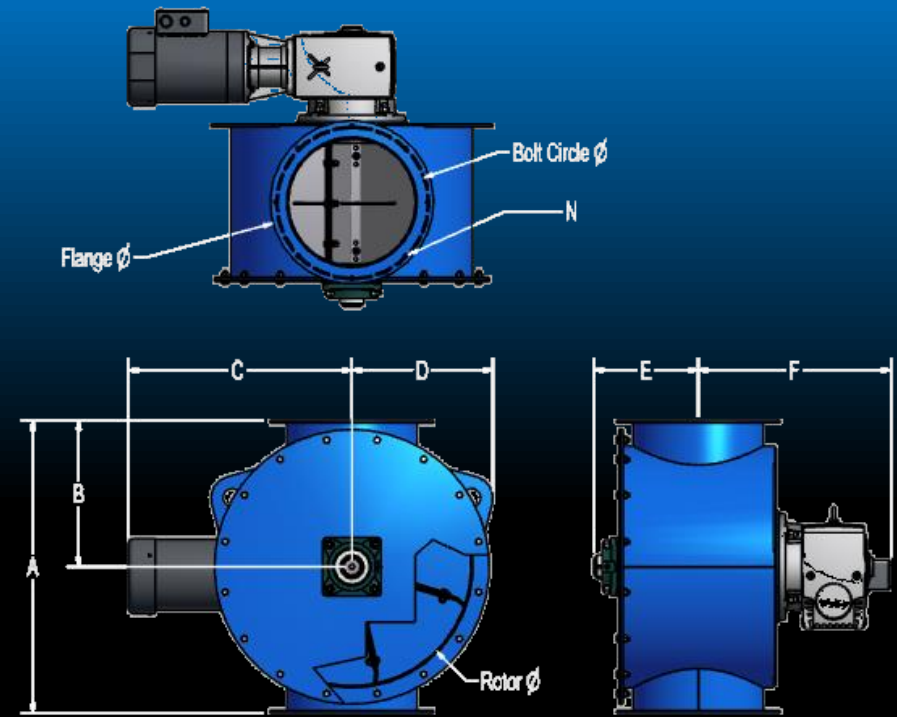


WESTERN PNEUMATICS, INC.
Design • Fabrication • Installation
110 North Seneca Road
PO Box 21340
Eugene, OR 97402
Phone: 541-461-2600

ROUND RUBBER TIPPED AIRLOCKS

Custom options available:

- Stainless Steel Construction
- Alternative tip / blade materials
- Round or rectangular inlet / discharge
- Motion switches
- Rotor speeds
- Motor voltages
- Paint color



Size	Volume / Revolution	Motor Power	Rotor Speed	Volume at full capacity	Volume at 100% capacity	Volume at 40% capacity	Volume at 20% capacity	Flange Ø	Rotor Ø	Bolt Circle Ø	N - # of flange bolts -- size	A	B	C	D	E	F
Inlet Ø x Rotor Ø	CFR		RPM									inch	inch	inch	inch	inch	inch
inches	Ft ³ / rev	HP	rev/min	Ft ³ / min	Units / hr	Units / hr	Units / hr	inch	inch	inch	# -- inch	inch	inch	inch	inch	inch	inch
10 x 17	1.25	1.5	22	27.5	8.25	3.30	1.65	10	17	11 ¹³ / ₁₆	6 -- ⁷ / ₁₆	22	11 ³ / ₄	11 ⁵ / ₈	11 ⁵ / ₁₆	8 ⁵ / ₈	16 ³ / ₄
12 x 17	1.5	1.5	22	33.0	9.9	3.96	1.98	12	17	14	8 -- ⁷ / ₁₆	22	11 ³ / ₄	11 ⁵ / ₈	11 ⁵ / ₁₆	9 ⁵ / ₈	17 ³ / ₄
12 x 22	2.5	1.5	22	55	16.5	6.6	3.30	12	22	14	8 -- ⁷ / ₁₆	27	13 ¹ / ₂	11 ⁵ / ₈	13	9 ⁵ / ₈	17 ³ / ₄



WESTERN PNEUMATICS, INC.
 Design • Fabrication • Installation
 110 North Seneca Road
 PO Box 21340
 Eugene, OR 97402
 Phone: 541-461-2600

ABOUT WPI

- Western Pneumatics was founded in 1982 with our focus on high and low pressure pneumatic conveying and aspiration systems.
- Diversification has been a constant as we offer materials handling systems for wood products, environmental, biomass, agricultural and minerals.
- The headquarters in Eugene, Oregon, include the fabrication facilities with CNC machine centers, laser cutting machine, sandblasting and painting .
- An additional fabrication facility is located in Ruston, Louisiana.
- WPI typically offers turnkey systems including design, fabrication and installation.

WPI Corporate Headquarters

110 N Seneca Road
PO Box 21340
Eugene, Oregon 97402

T. 541.461.2600
F. 541.461.2606

WPI-South

2601 McDonald Ave
Ruston, LA 71270

T. 318.232.1307
F. 318.232.7720



WESTERN PNEUMATICS, INC.
Design • Fabrication • Installation
110 North Seneca Road
PO Box 21340
Eugene, OR 97402
Phone: 541-461-2600