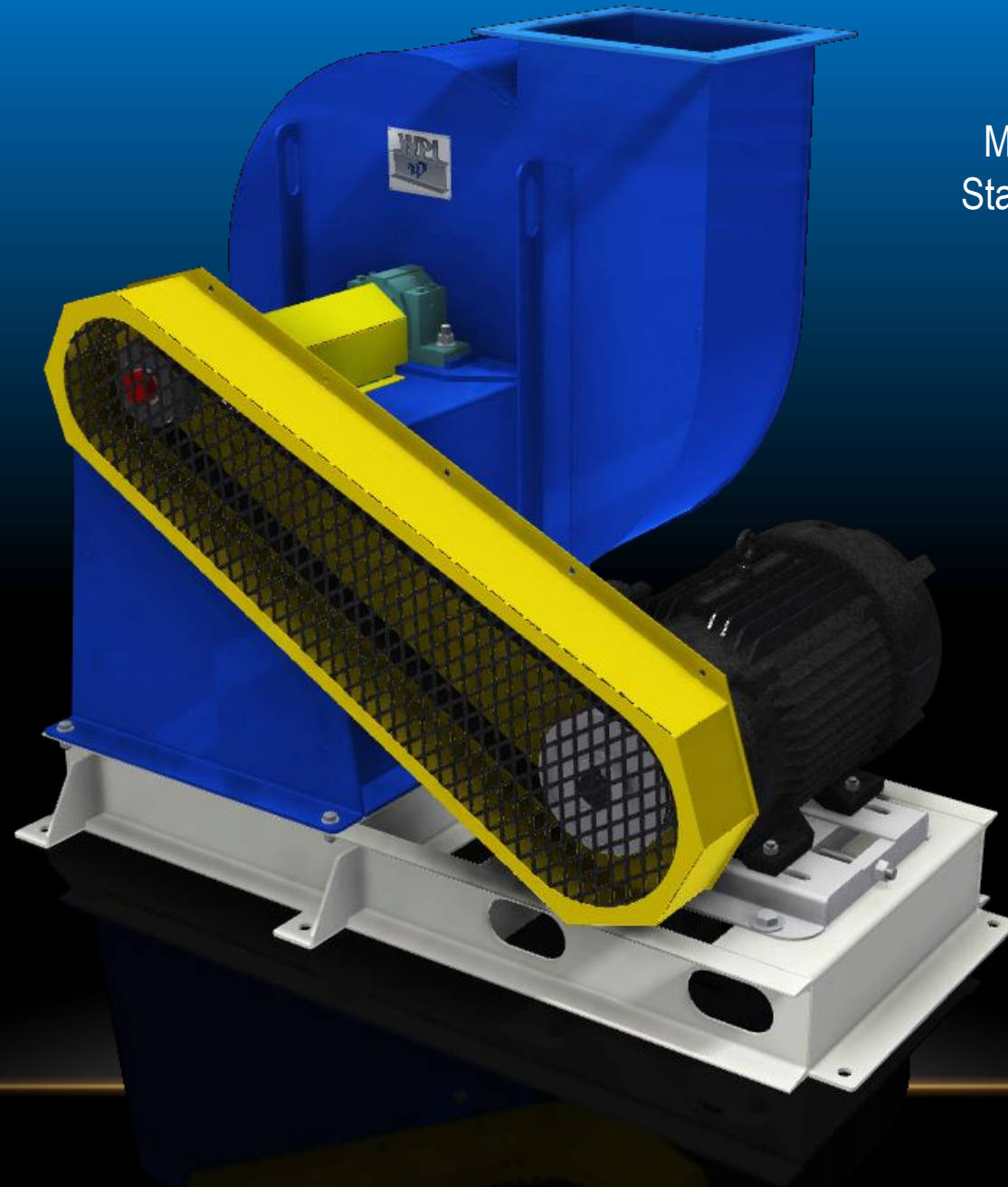


FANS

Mild Steel &
Stainless Steel
Models.

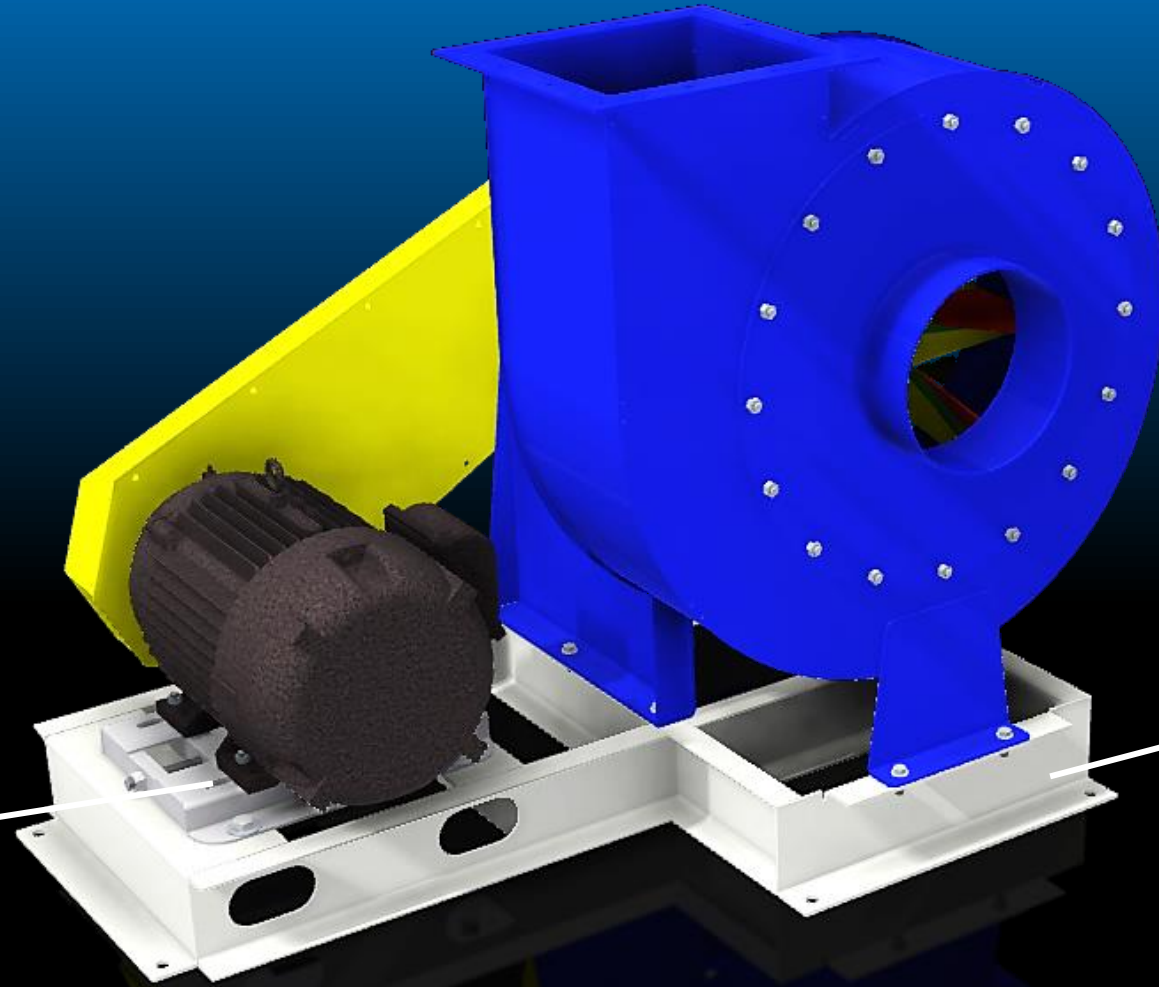
Available from 500
to 100,000 CFM.



WESTERN PNEUMATICS, INC.
Design • Fabrication • Installation
110 North Seneca Road
PO Box 21340
Eugene, OR 97402
Phone: 541-461-2600

FANS

Fans types for
air, dust and
material flows.



Sliding Motor
Mount

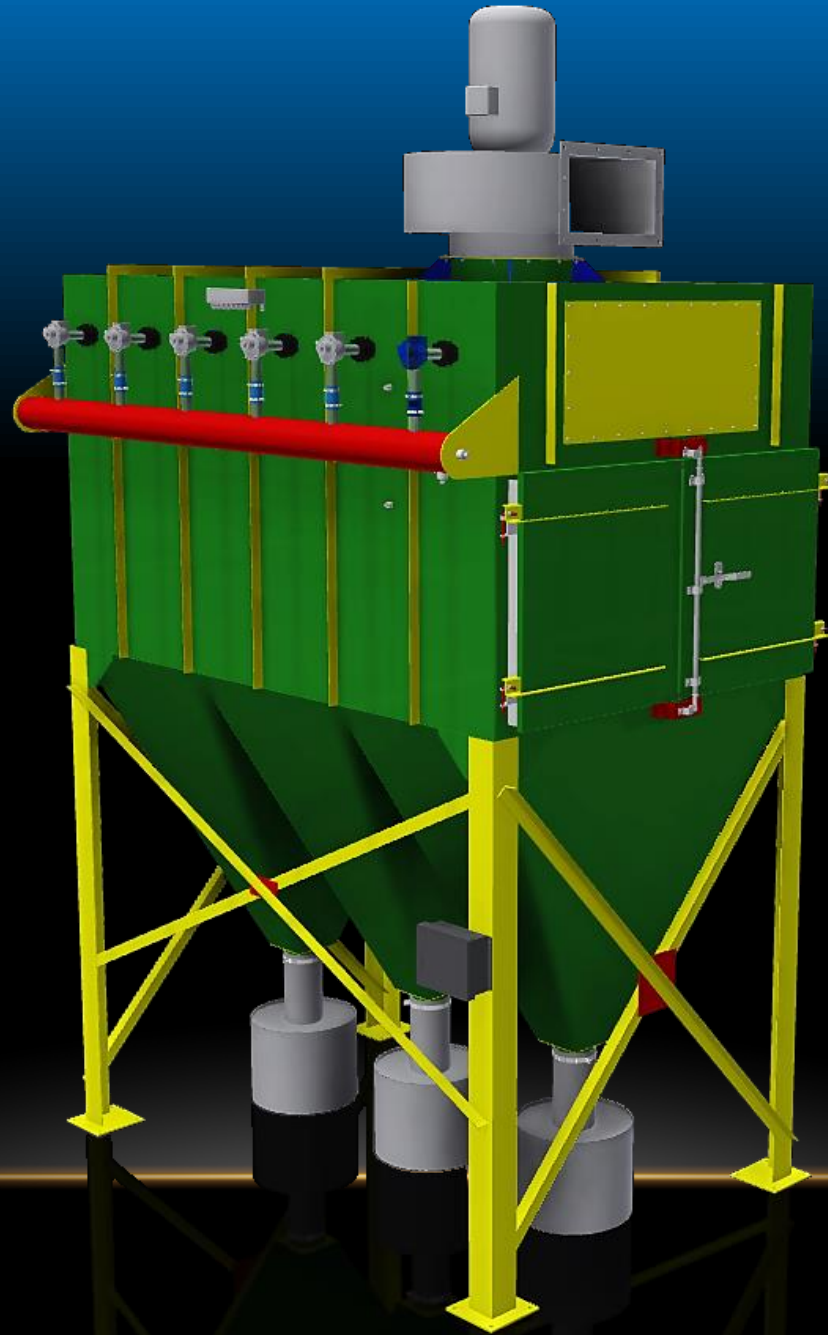
Unitary
Base



WESTERN PNEUMATICS, INC.
Design • Fabrication • Installation
110 North Seneca Road
PO Box 21340
Eugene, OR 97402
Phone: 541-461-2600

TYPICAL APPLICATIONS

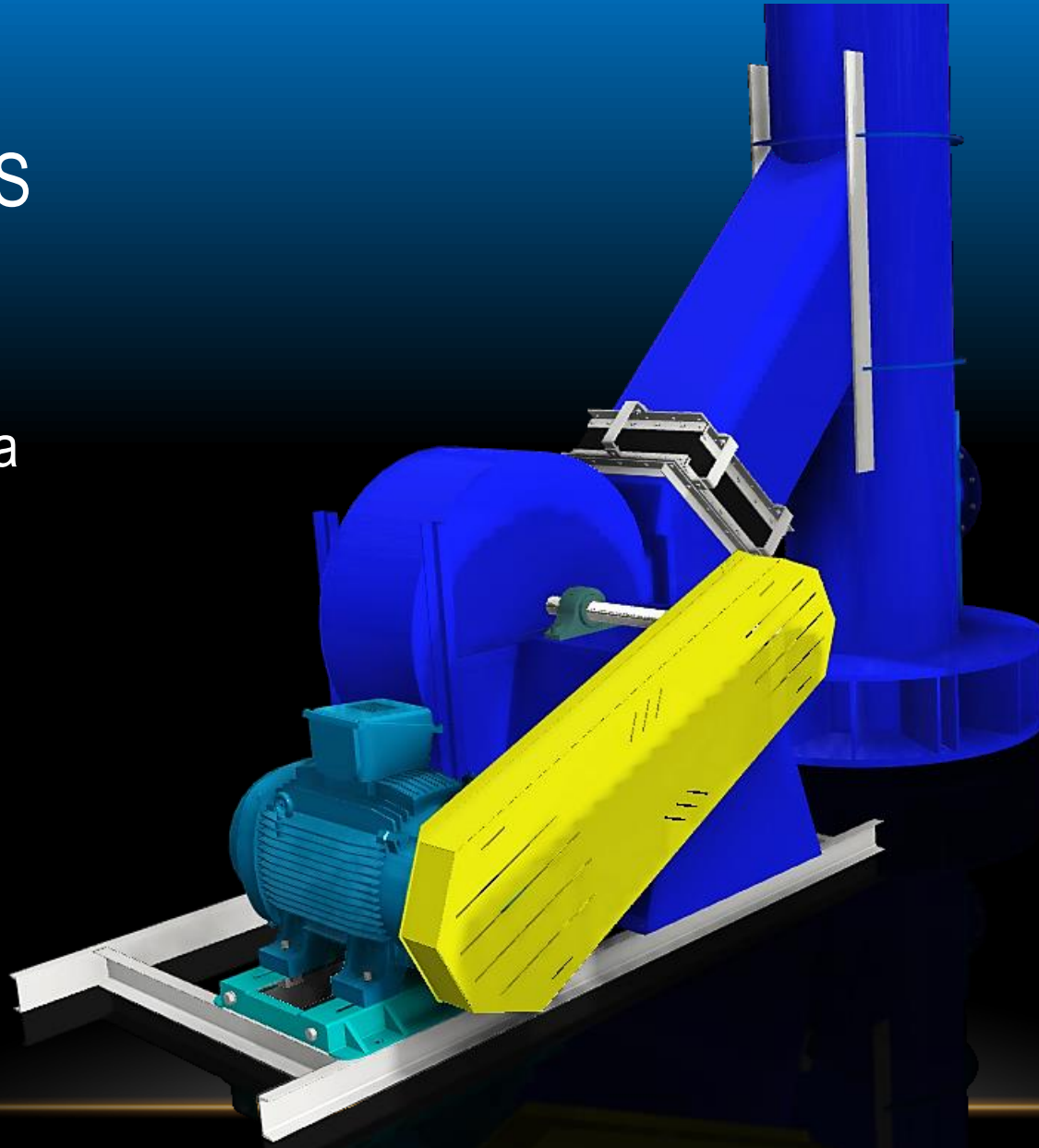
Fan directly
mounted to a
filter.



WESTERN PNEUMATICS, INC.
Design • Fabrication • Installation
110 North Seneca Road
PO Box 21340
Eugene, OR 97402
Phone: 541-461-2600

TYPICAL APPLICATIONS

Fan connected to a
stack through an
isolation joint.



WESTERN PNEUMATICS, INC.
Design • Fabrication • Installation
110 North Seneca Road
PO Box 21340
Eugene, OR 97402
Phone: 541-461-2600

TYPICAL APPLICATIONS

Fan pulling air
through a filter and
discharging through
a stack.



WESTERN PNEUMATICS, INC.
Design • Fabrication • Installation
110 North Seneca Road
PO Box 21340
Eugene, OR 97402
Phone: 541-461-2600

TYPICAL APPLICATIONS

Fan pulling air through a filter and discharging through a stack.

Fan also pulls air through the filter by-pass piping during an abort event.



WESTERN PNEUMATICS, INC.
Design • Fabrication • Installation
110 North Seneca Road
PO Box 21340
Eugene, OR 97402
Phone: 541-461-2600

ABOUT WPI

- Western Pneumatics was founded in 1982 with our focus on high and low pressure pneumatic conveying and aspiration systems.
- Diversification has been a constant as we offer materials handling systems for wood products, environmental, biomass, agricultural and minerals.
- The headquarters in Eugene, Oregon, include the fabrication facilities with CNC machine centers, laser cutting machine, sandblasting and painting .
- An additional fabrication facility is located in Ruston, Louisiana.
- WPI typically offers turnkey systems including design, fabrication and installation.

WPI Corporate Headquarters

110 N Seneca Road
PO Box 21340
Eugene, Oregon 97402

T. 541.461.2600
F. 541.461.2606

WPI-South

2601 McDonald Ave
Ruston, LA 71270

T. 318.232.1307
F. 318.232.7720



WESTERN PNEUMATICS, INC.
Design • Fabrication • Installation
110 North Seneca Road
PO Box 21340
Eugene, OR 97402
Phone: 541-461-2600