

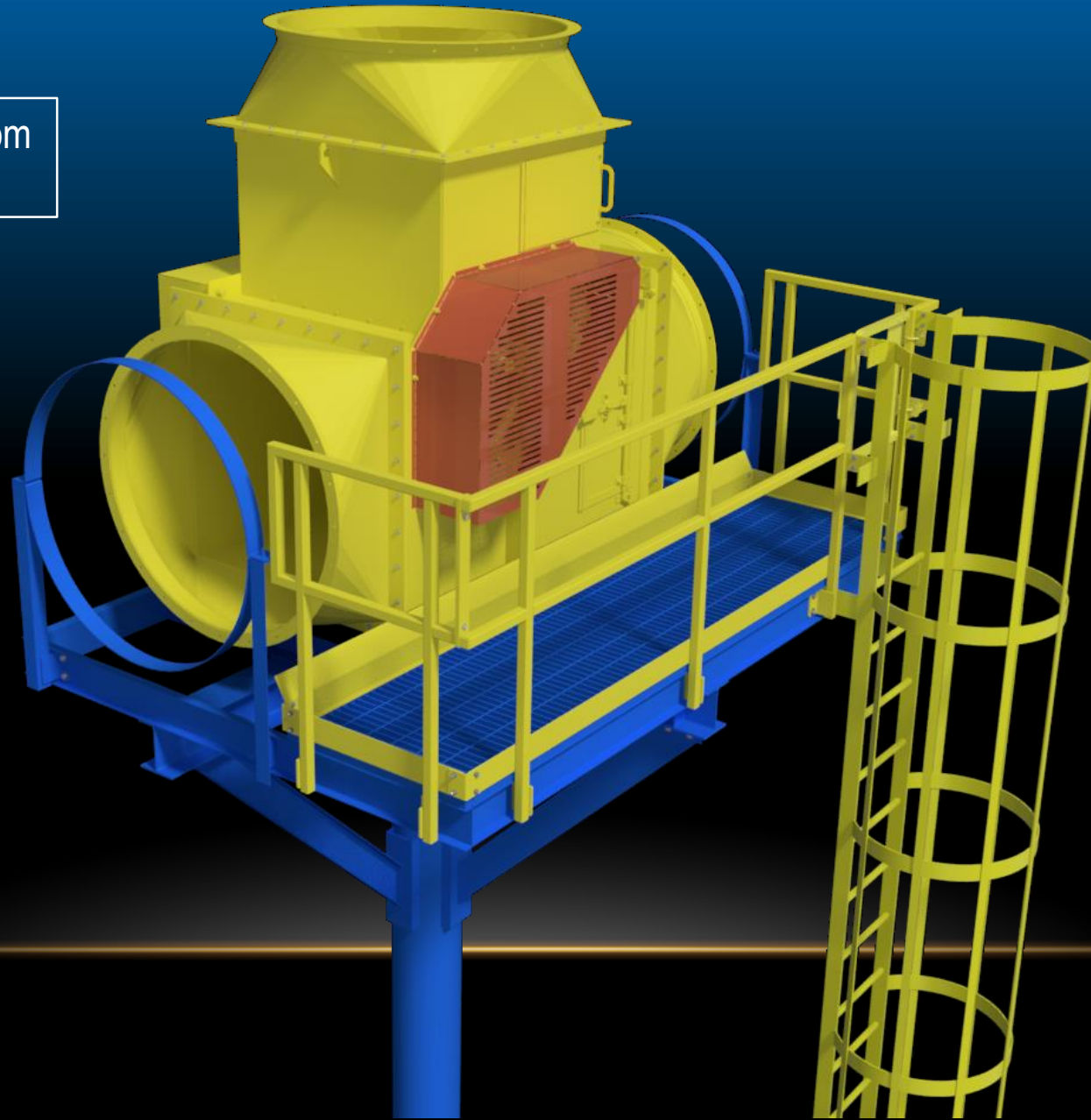
HI-SPEED ABORT GATES

Duct Sizes from
6" to 54"

PLC Based
Control Panel

Custom Support
and Access
Platform

Mild Steel &
Stainless Steel
Models



WESTERN PNEUMATICS, INC.
Design • Fabrication • Installation
110 North Seneca Road
PO Box 21340
Eugene, OR 97402
Phone: 541-461-2600

HI-SPEED ABORT GATES

- STANDARD FEATURES -

Double Wall Blade Assembly

External Four Bolt Flange Bearing

External Spring

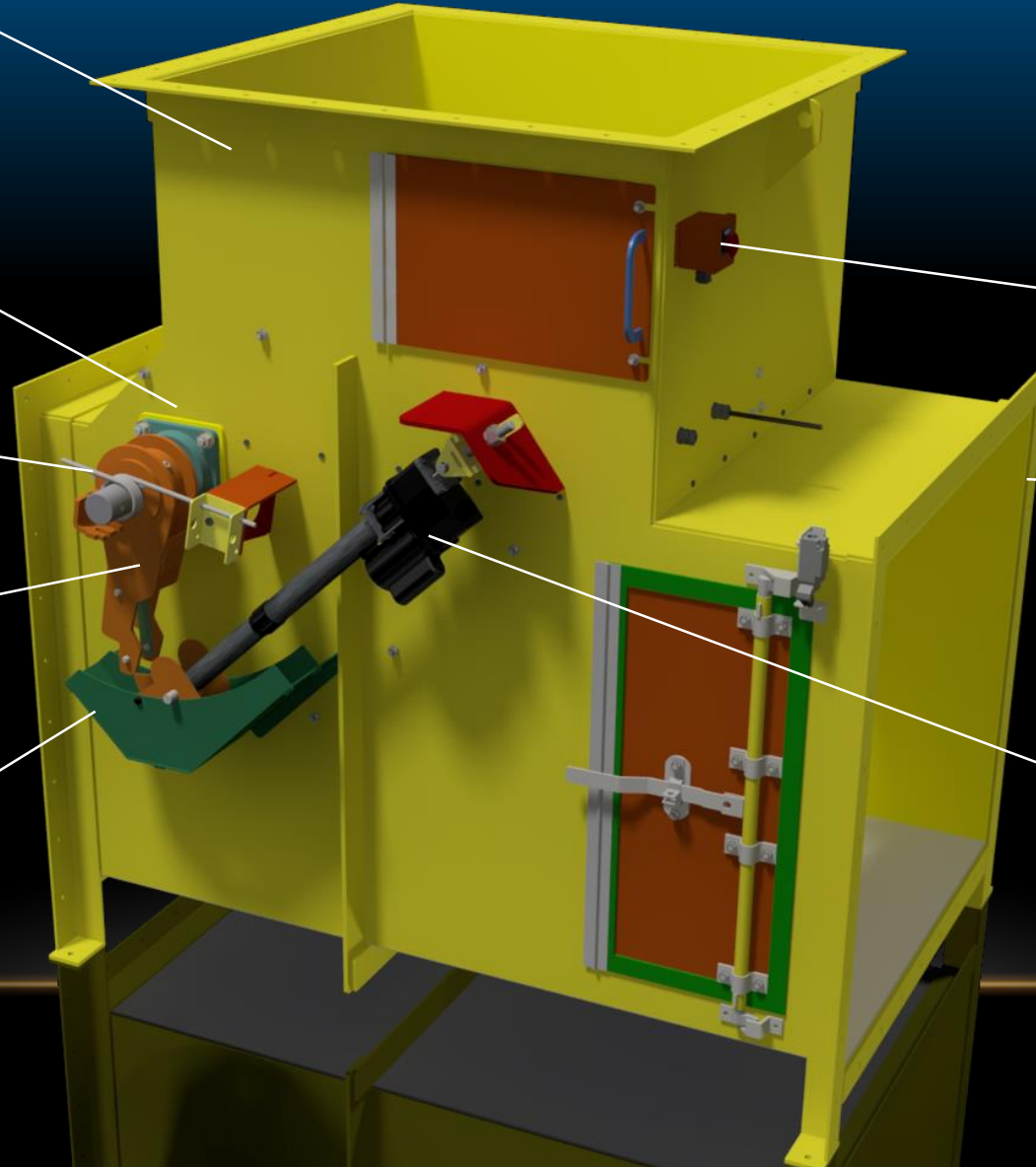
Reset Arm

Actuator Engagement Assembly

Manual Reset Switch

Heavy Wall Construction

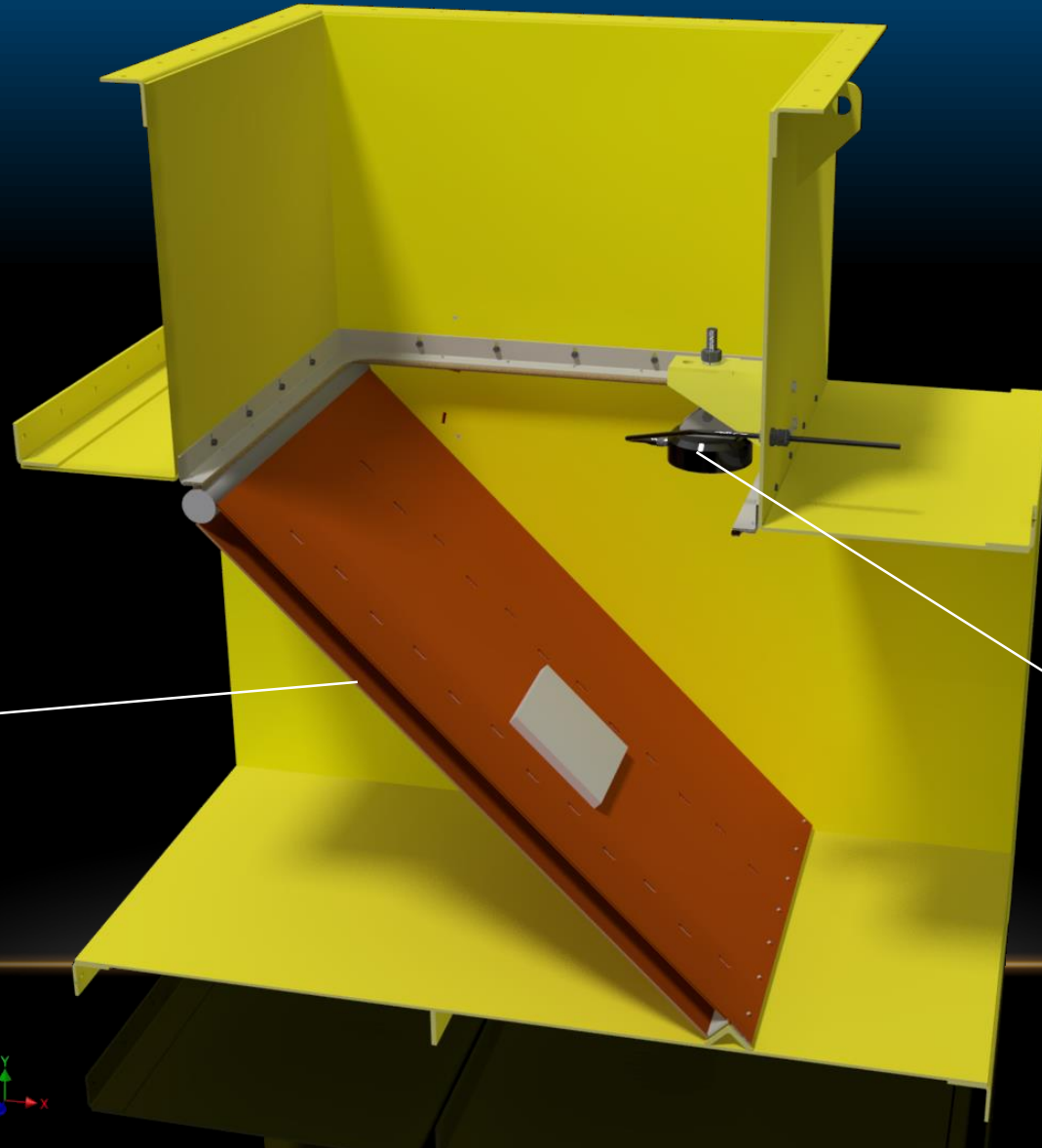
Electrically Driven Reset Actuator



WESTERN PNEUMATICS, INC.
Design • Fabrication • Installation
110 North Seneca Road
PO Box 21340
Eugene, OR 97402
Phone: 541-461-2600

HI-SPEED ABORT GATES

- ASSOCIATED ITEMS -



Double Wall Blade
Assembly

Powerful
Electromagnetic
Latch



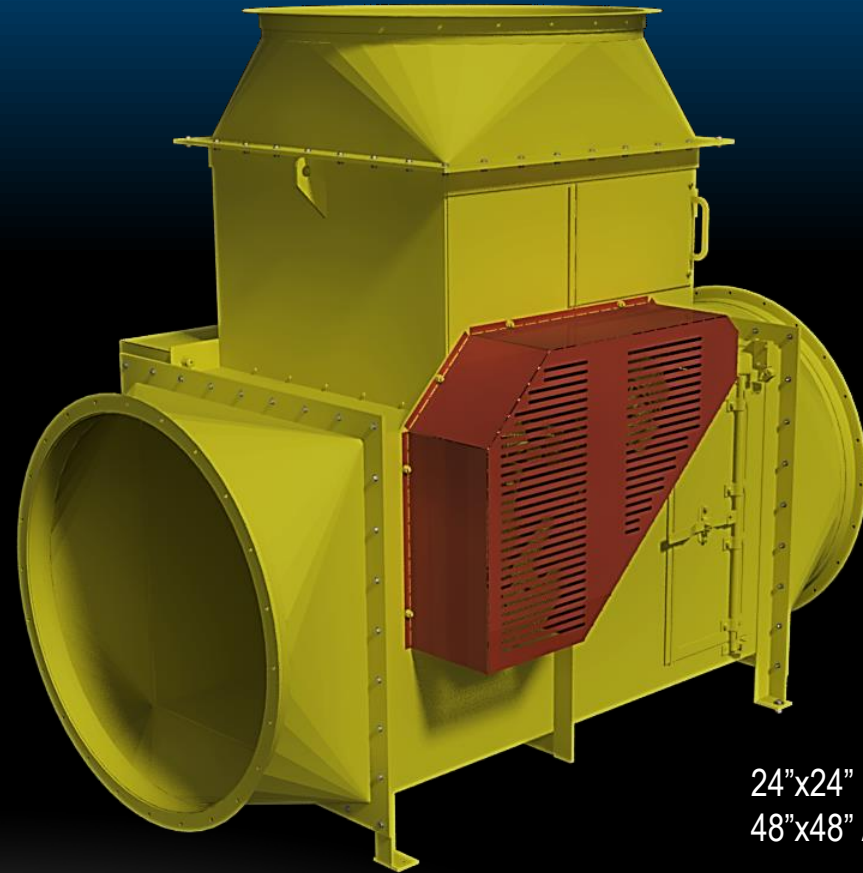
WESTERN PNEUMATICS, INC.
Design • Fabrication • Installation
110 North Seneca Road
PO Box 21340
Eugene, OR 97402
Phone: 541-461-2600

HI-SPEED ABORT GATES

- SIZES AVAILABLE -



10"x10" thru 18"x18" Abort
External Magnet Style



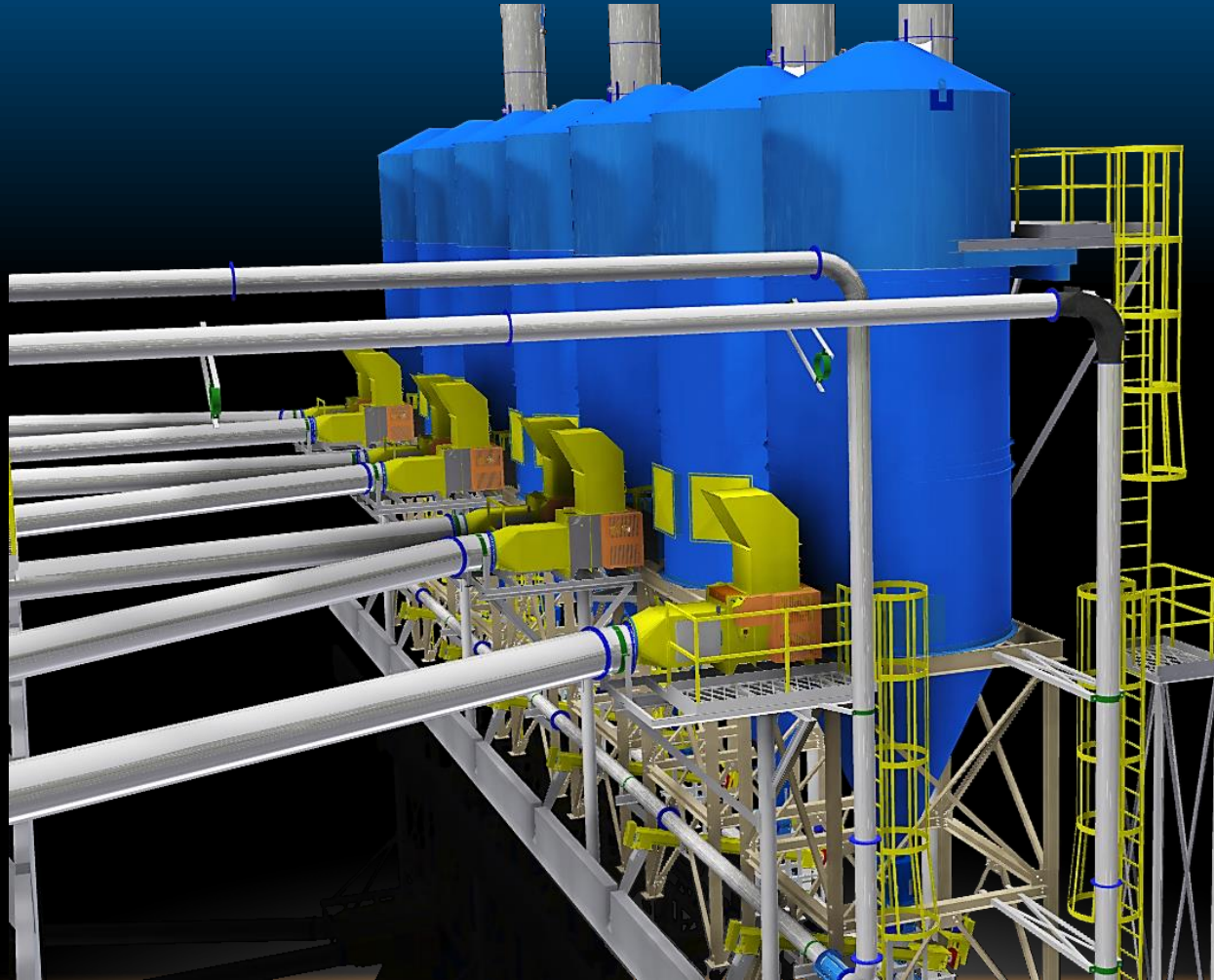
24"x24" thru
48"x48" Abort



WESTERN PNEUMATICS, INC.
Design • Fabrication • Installation
110 North Seneca Road
PO Box 21340
Eugene, OR 97402
Phone: 541-461-2600

HI-SPEED ABORT GATES

- TYPICAL APPLICATIONS -



Abort gates
protecting a series
of baghouse filters

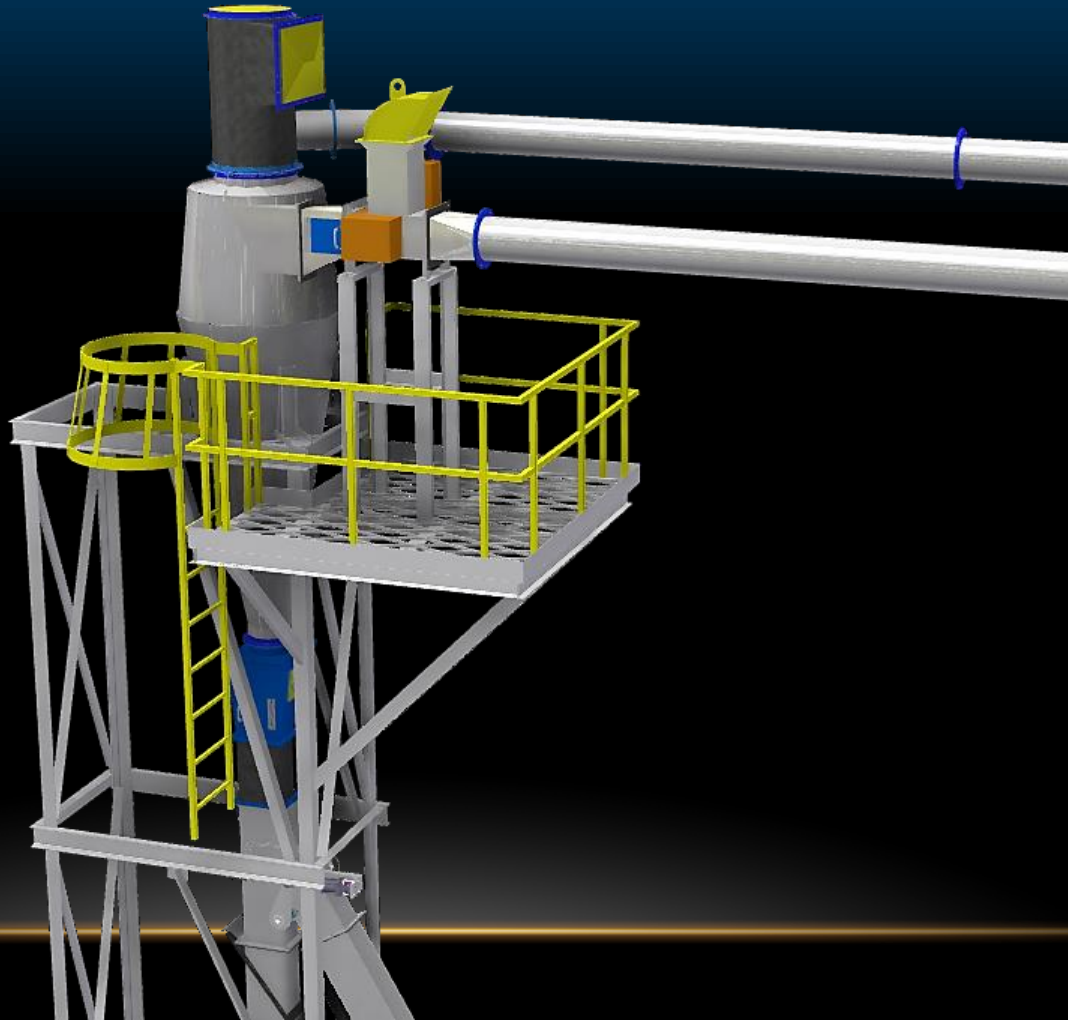


WESTERN PNEUMATICS, INC.
Design • Fabrication • Installation
110 North Seneca Road
PO Box 21340
Eugene, OR 97402
Phone: 541-461-2600

HI-SPEED ABORT GATES

- TYPICAL APPLICATIONS -

Abort gate protecting a cyclone on a fines relay system



WESTERN PNEUMATICS, INC.
Design • Fabrication • Installation
110 North Seneca Road
PO Box 21340
Eugene, OR 97402
Phone: 541-461-2600

HI-SPEED ABORT GATES

- TYPICAL APPLICATIONS -

Abort gate protecting a
baghouse filter with by-
pass piping



WESTERN PNEUMATICS, INC.
Design • Fabrication • Installation
110 North Seneca Road
PO Box 21340
Eugene, OR 97402
Phone: 541-461-2600

ABOUT WPI

- Western Pneumatics was founded in 1982 with our focus on high and low pressure pneumatic conveying and aspiration systems.
- Diversification has been a constant as we offer materials handling systems for wood products, environmental, biomass, agricultural and minerals.
- The headquarters in Eugene, Oregon, include the fabrication facilities with CNC machine centers, laser cutting machine, sandblasting and painting .
- An additional fabrication facility is located in Ruston, Louisiana.
- WPI typically offers turnkey systems including design, fabrication and installation.

WPI Corporate Headquarters

110 N Seneca Road
PO Box 21340
Eugene, Oregon 97402

T. 541.461.2600
F. 541.461.2606

WPI-South

2601 McDonald Ave
Ruston, LA 71270

T. 318.232.1307
F. 318.232.7720



WESTERN PNEUMATICS, INC.
Design • Fabrication • Installation
110 North Seneca Road
PO Box 21340
Eugene, OR 97402
Phone: 541-461-2600