

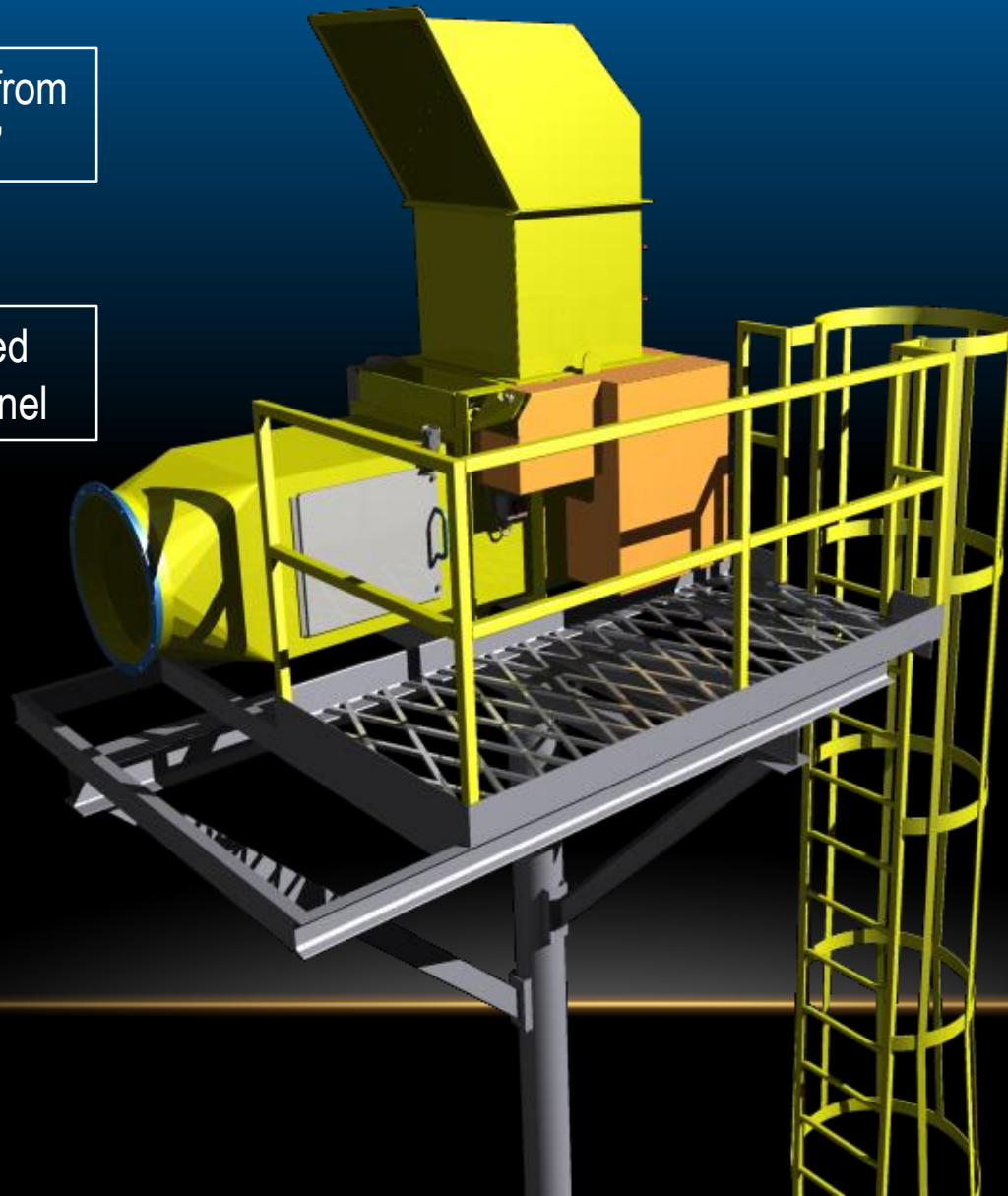
HI-SPEED ABORT GATES

Duct Sizes from
6" to 54"

PLC Based
Control Panel

Mild Steel &
Stainless Steel
Models

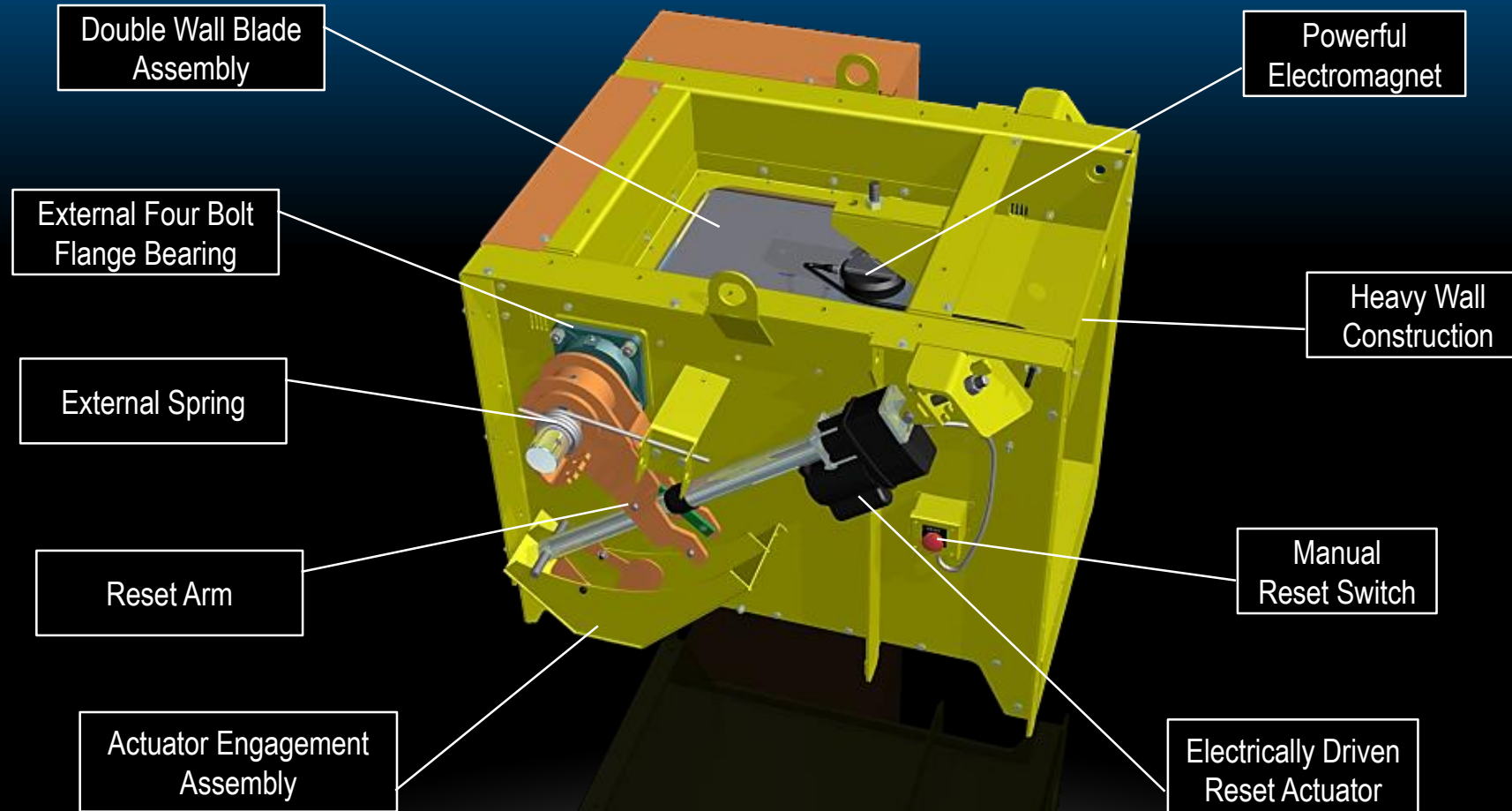
Custom Support
and Access
Platform



WESTERN PNEUMATICS, INC.
Design • Fabrication • Installation
110 North Seneca Road
PO Box 21340
Eugene, OR 97402
Phone: 541-461-2600

HI-SPEED ABORT GATES

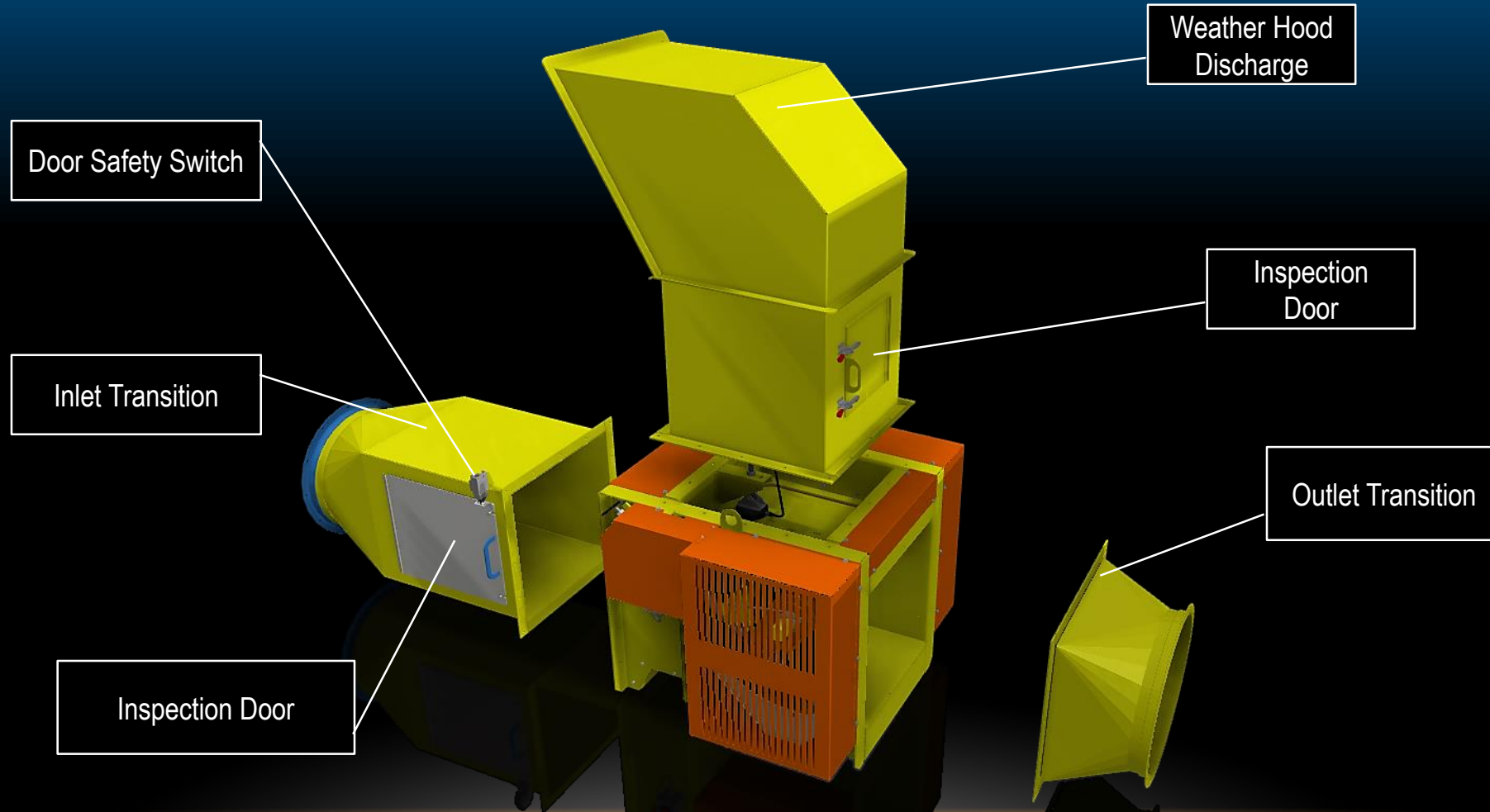
- STANDARD FEATURES -



WESTERN PNEUMATICS, INC.
Design • Fabrication • Installation
110 North Seneca Road
PO Box 21340
Eugene, OR 97402
Phone: 541-461-2600

HI-SPEED ABORT GATES

- ASSOCIATED ITEMS -



WESTERN PNEUMATICS, INC.
Design • Fabrication • Installation
110 North Seneca Road
PO Box 21340
Eugene, OR 97402
Phone: 541-461-2600

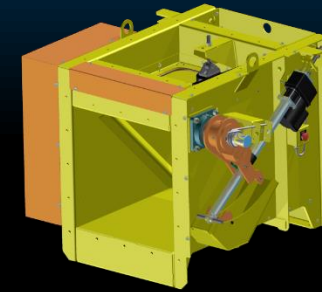
HI-SPEED ABORT GATES

- SIZES AVAILABLE -

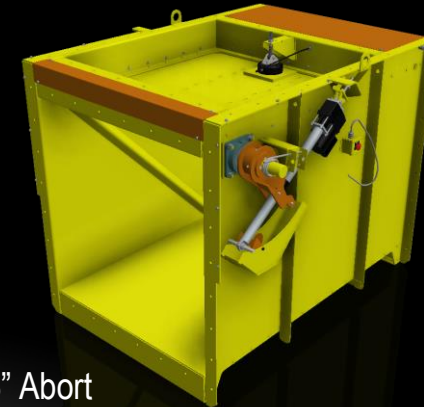
Abort Size	Overall Dimensions			
	Length	Width	Height	Length (Including Transitions)
10"x10"	21- $\frac{3}{8}$ "	26- $\frac{7}{8}$ "	30- $\frac{5}{16}$ "	45- $\frac{3}{8}$ "
14"x14"	25- $\frac{3}{4}$ "	34- $\frac{3}{16}$ "	40- $\frac{3}{8}$ "	49- $\frac{3}{4}$ "
18x18"	43"	42- $\frac{5}{8}$ "	38- $\frac{1}{2}$ "	67"
24x24"	43"	48- $\frac{3}{8}$ "	38- $\frac{1}{2}$ "	73"
32x32"	54- $\frac{5}{16}$ "	56- $\frac{3}{8}$ "	46- $\frac{1}{2}$ "	84- $\frac{5}{16}$ "
40x40"	65- $\frac{5}{8}$ "	64- $\frac{3}{8}$ "	54- $\frac{1}{2}$ "	95- $\frac{5}{8}$ "
48x48"	76- $\frac{15}{16}$ "	72- $\frac{3}{8}$ "	62- $\frac{1}{2}$ "	112- $\frac{15}{16}$ "



10"x10" Abort



24"x24" Abort



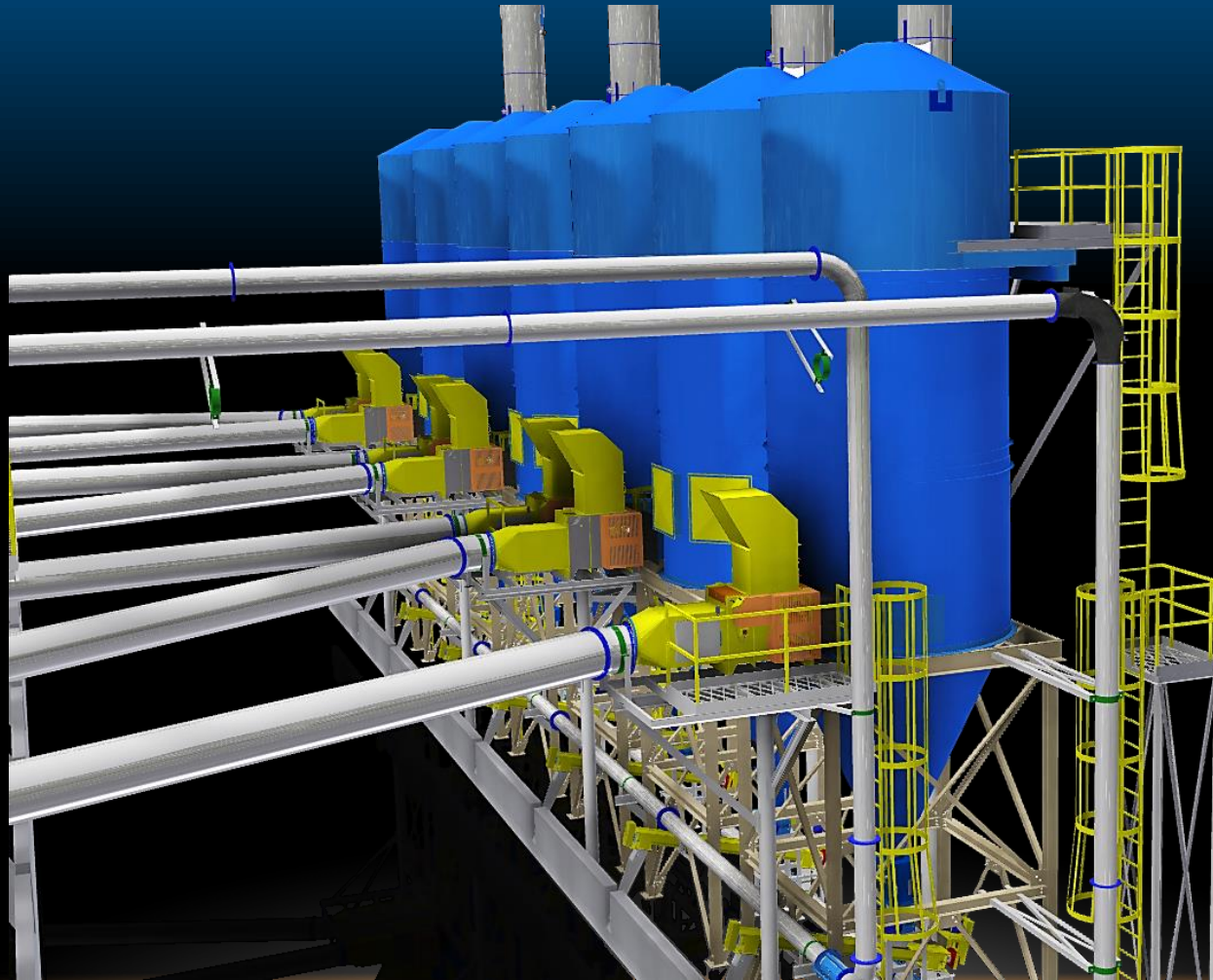
48"x48" Abort



WESTERN PNEUMATICS, INC.
Design • Fabrication • Installation
110 North Seneca Road
PO Box 21340
Eugene, OR 97402
Phone: 541-461-2600

HI-SPEED ABORT GATES

- TYPICAL APPLICATIONS -



Abort gates
protecting a series
of baghouse filters

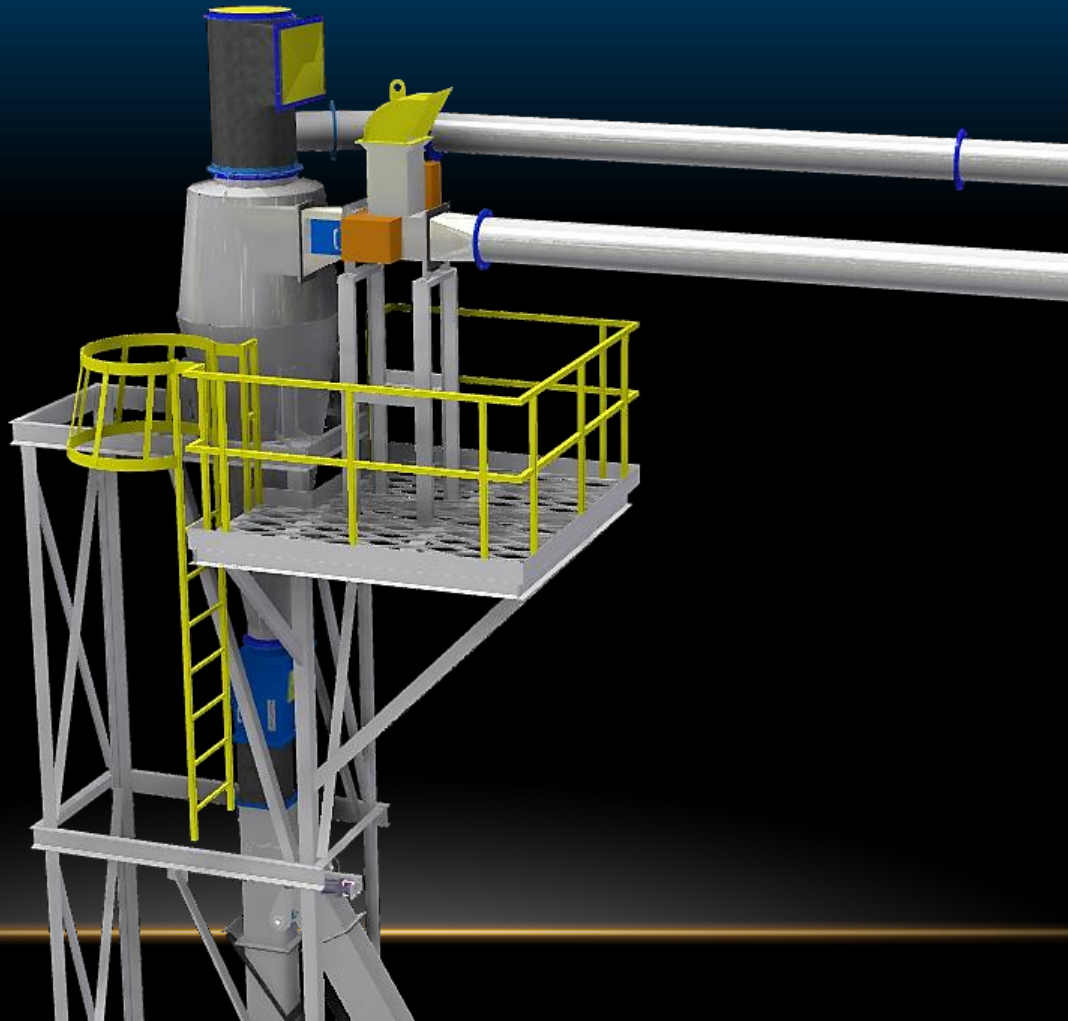


WESTERN PNEUMATICS, INC.
Design • Fabrication • Installation
110 North Seneca Road
PO Box 21340
Eugene, OR 97402
Phone: 541-461-2600

HI-SPEED ABORT GATES

- TYPICAL APPLICATIONS -

Abort gate protecting a cyclone on a fines relay system



WESTERN PNEUMATICS, INC.
Design • Fabrication • Installation
110 North Seneca Road
PO Box 21340
Eugene, OR 97402
Phone: 541-461-2600

HI-SPEED ABORT GATES

- TYPICAL APPLICATIONS -

Abort gate protecting a
baghouse filter with by-
pass piping



WESTERN PNEUMATICS, INC.
Design • Fabrication • Installation
110 North Seneca Road
PO Box 21340
Eugene, OR 97402
Phone: 541-461-2600

ABOUT WPI

- Western Pneumatics was founded in 1982 with our focus on high and low pressure pneumatic conveying and aspiration systems.
- Diversification has been a constant as we offer materials handling systems for wood products, environmental, biomass, agricultural and minerals.
- The headquarters in Eugene, Oregon, include the fabrication facilities with CNC machine centers, laser cutting machine, sandblasting and painting .
- An additional fabrication facility is located in Ruston, Louisiana.
- WPI typically offers turnkey systems including design, fabrication and installation.

WPI Corporate Headquarters

110 N Seneca Road
PO Box 21340
Eugene, Oregon 97402

T. 541.461.2600
F. 541.461.2606

WPI-South

2601 McDonald Ave
Ruston, LA 71270

T. 318.232.1307
F. 318.232.7720



WESTERN PNEUMATICS, INC.
Design • Fabrication • Installation
110 North Seneca Road
PO Box 21340
Eugene, OR 97402
Phone: 541-461-2600