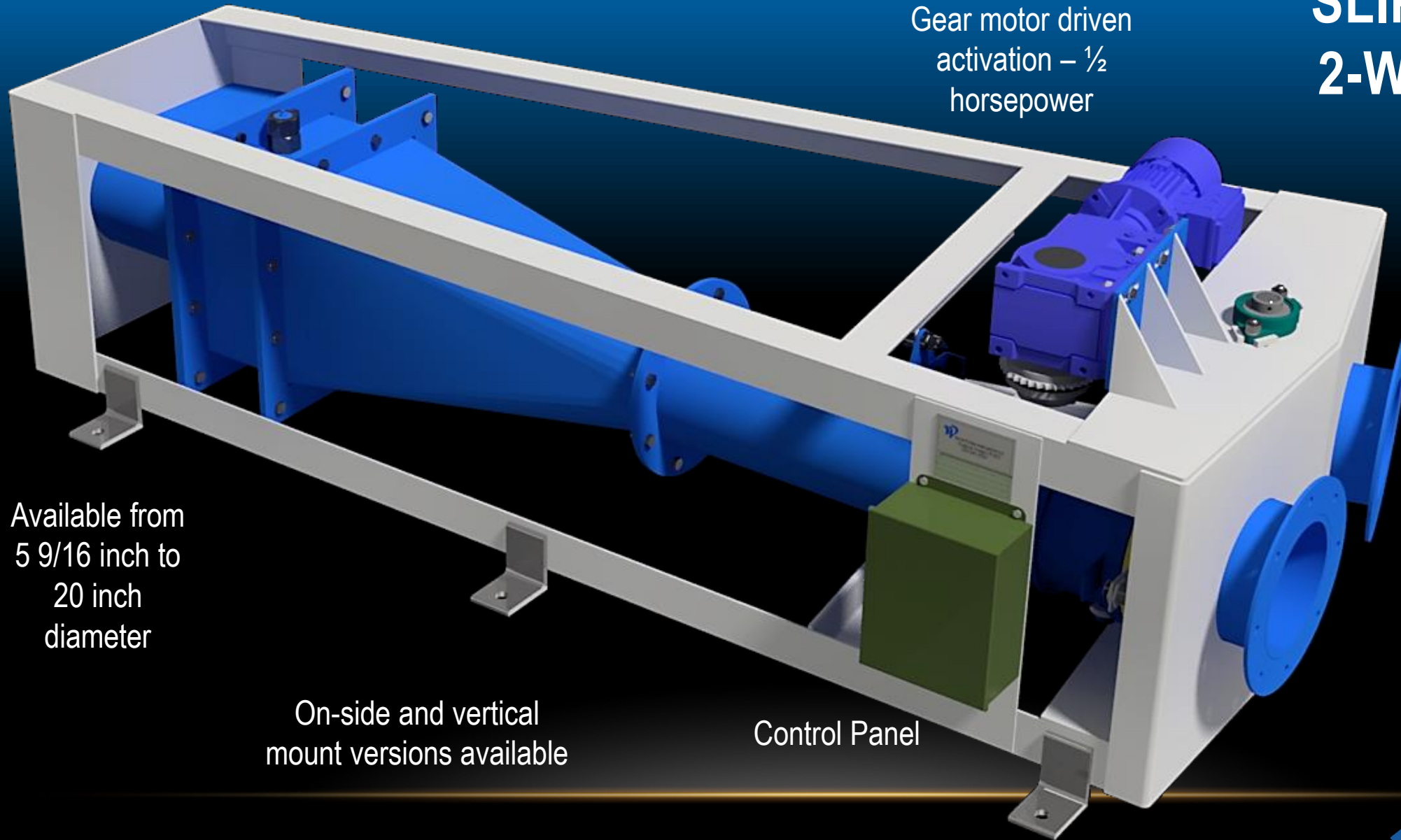


SLIP-SLEEVE 2-WAY VALVE

Gear motor driven
activation – ½
horsepower



Available from
5 9/16 inch to
20 inch
diameter

On-side and vertical
mount versions available

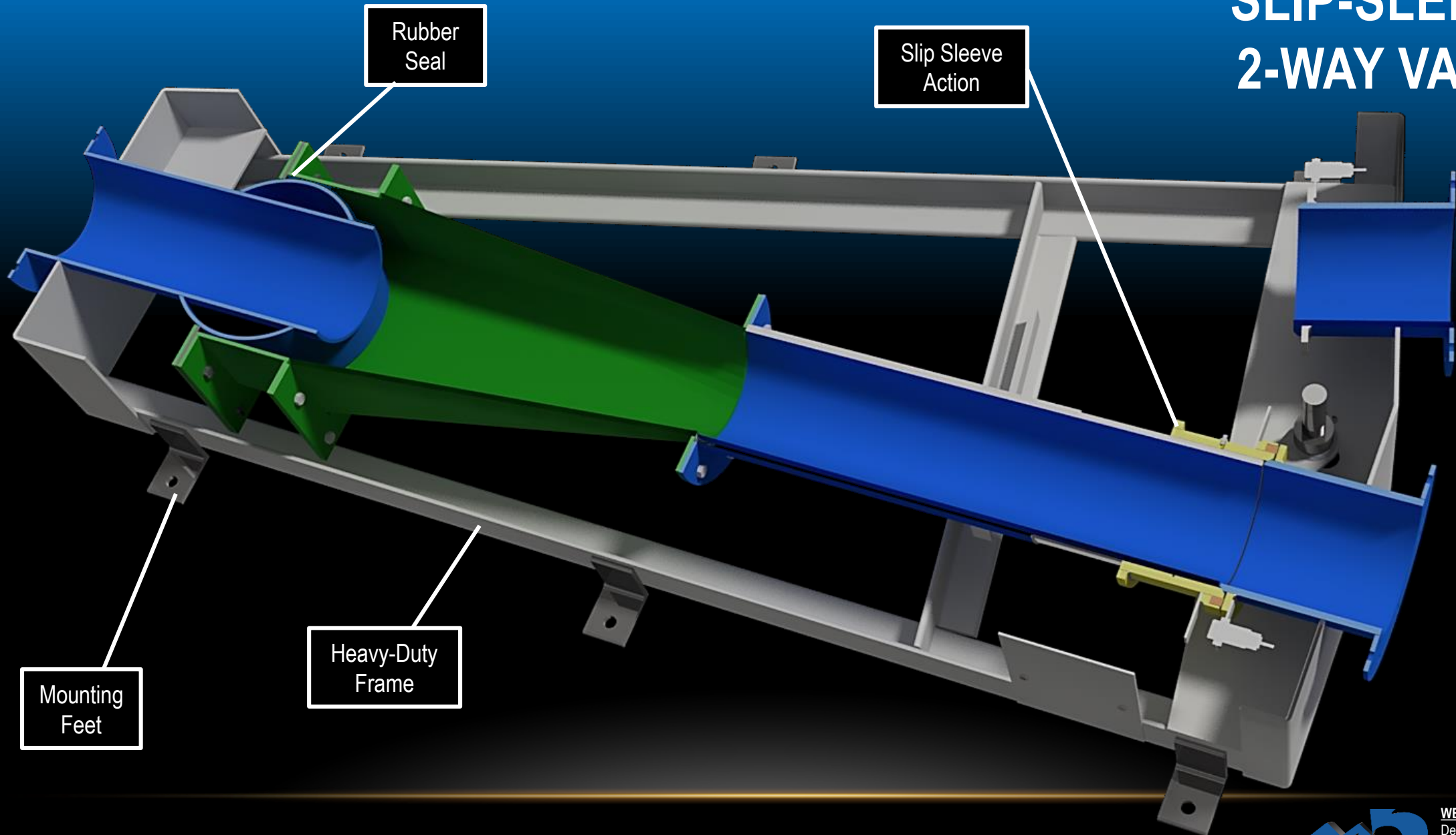
Control Panel

Activation cycle
in less than 3
seconds



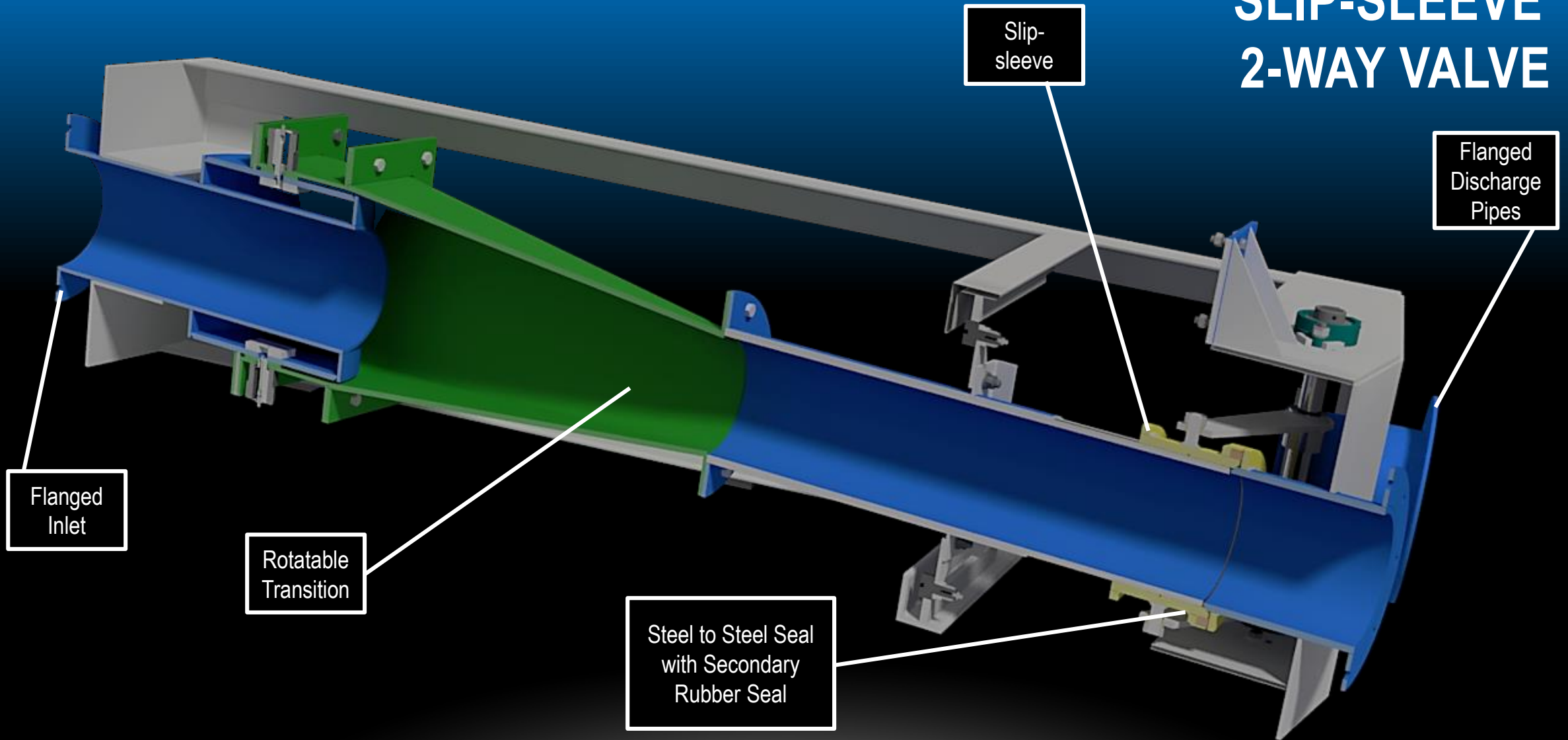
WESTERN PNEUMATICS, INC.
Design • Fabrication • Installation
110 North Seneca Road
PO Box 21340
Eugene, OR 97402
Phone: 541-461-2600

SLIP-SLEEVE 2-WAY VALVE



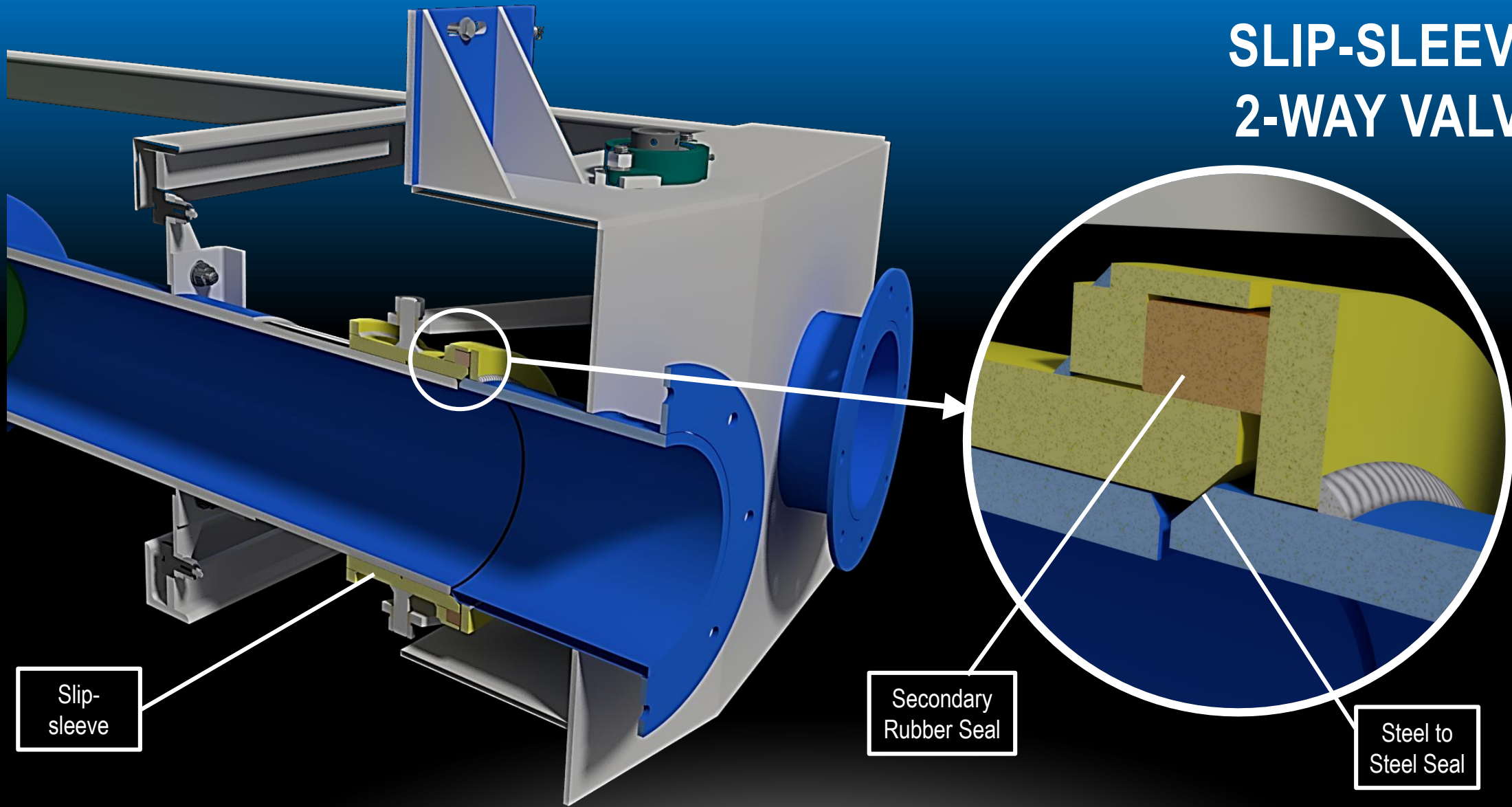
WESTERN PNEUMATICS, INC.
Design • Fabrication • Installation
110 North Seneca Road
PO Box 21340
Eugene, OR 97402
Phone: 541-461-2600

SLIP-SLEEVE 2-WAY VALVE



WESTERN PNEUMATICS, INC.
Design • Fabrication • Installation
110 North Seneca Road
PO Box 21340
Eugene, OR 97402
Phone: 541-461-2600

SLIP-SLEEVE 2-WAY VALVE



WESTERN PNEUMATICS, INC.
Design • Fabrication • Installation
110 North Seneca Road
PO Box 21340
Eugene, OR 97402
Phone: 541-461-2600